

Bruker BioSpin

# BLAH500 E ●

Amplifier 500-600MHz INR  
Operating & Service Manual

Version 001

think forward

NMR Spectroscopy

The information in this manual may be altered without notice.

BRUKER BIOSPIN accepts no responsibility for actions taken as a result of use of this manual. BRUKER BIOSPIN accepts no liability for any mistakes contained in the manual, leading to coincidental damage, whether during installation or operation of the instrument. Unauthorised reproduction of manual contents, without written permission from the publishers, or translation into an other language, either the entire manual or a part of it, is forbidden.

This manual describes the units as they are at the date of printing. On request, the manufacturer shall supply circuit diagrams, lists of components, descriptions, calibrating instructions and any other information for use by qualified personnel of the user, in charge of repairing the parts of the unit which have been stated by the manufacturer to be "repairable". Such supply shall in no event constitute permission to modify or repair the units or approval of the same.

All rights reserved for the units, circuits, processes and appellations mentioned herein.

This unit is not designed for any type of use which is not specifically described in this manual. Such use may be hazardous.

This manual was written by

[Jacky Schaeffer](#)

This manual was edited and desktop published by

[Dominique Wurtz](#)

© September 28, 2009: Bruker BioSpin

Wissembourg, France

P/N: Z31859

DWG-Nr: Z4D10850

For further technical assistance on the BLAH500 E unit, please do not hesitate to contact your nearest BRUKER dealer or contact us directly at:

BRUKER BioSpin  
34 rue de l'Industrie  
F-67166 Wissembourg Cedex  
France

Phone: + 33 388 066 000  
Fax: + 33 388 736 820  
Email: [support-rmn@bruker.fr](mailto:support-rmn@bruker.fr)  
Internet: [www.bruker.com](http://www.bruker.com)

# Contents

	<b>Contents .....</b>	<b>3</b>
<b>1</b>	<b>General Information .....</b>	<b>5</b>
1.1	Introduction .....	5
<b>2</b>	<b>Safety .....</b>	<b>7</b>
2.1	Identification Labels .....	7
	Identifying Plate .....	7
	Manufacturer's Name Plate .....	8
2.2	Safety Labels and Symbols .....	9
	Warning Signs .....	9
	Danger .....	9
	Instruction .....	9
<b>3</b>	<b>Installation .....</b>	<b>11</b>
3.1	Initial Inspection .....	11
	Mechanical Check .....	11
	Claim for Damage .....	11
	Reshipment and Repackaging Requirements .....	11
	Environment Requirements .....	12
3.2	Installation Requirements .....	12
	Bench Operation .....	12
3.3	Power Requirements .....	12
3.4	System Check .....	12
3.5	Initial Turn on Procedure .....	13
<b>4</b>	<b>Operation .....</b>	<b>15</b>
4.1	Front Panel Description .....	15
	Indicators .....	15
	Coaxial Connectors .....	16
	Ethernet 10/100 Interface Connector .....	16
	Device Front View .....	17
4.2	Rear Panel Description .....	18
	Device Rear View .....	18
<b>5</b>	<b>Technical Description .....</b>	<b>19</b>
5.1	System Overview .....	19
5.2	Theory of Operation .....	23
	RF Path .....	23
	Embedded Router .....	23
	RF Driver .....	23
	RF Relay H500/H50 Selection .....	24

	RF Coupler H50 .....	24
	RF Power Amplifier .....	24
	RF Coupler H500 .....	24
	Circulator .....	24
	BLA Control Board .....	25
	BLA Extension Board .....	27
	Status Led Board .....	27
	BIS Board .....	27
<b>6</b>	<b><i>Servicing the BLA</i></b> .....	<b>29</b>
6.1	Accessing the BLA Amplifier .....	29
6.2	Sub Toolbar Information .....	30
	Device Information (default) .....	30
	Amplifier Status .....	31
6.3	Sub Toolbar Advanced Operations .....	32
	Device Information (advanced) .....	32
	Amplifier Limitations .....	33
	Change Limits .....	34
	Routing Information and Setting .....	35
6.4	Sub Toolbar Maintenance .....	36
	Device Information (maintenance) .....	36
	Self-Test & Software Reset .....	37
	Firmware Update .....	39
	BIS Content .....	40
<b>7</b>	<b><i>Specifications</i></b> .....	<b>41</b>
7.1	Common Characteristics .....	41
7.2	General Specifications .....	42
	Channel High Resolution 50W Output .....	42
	Channel Solid 500W Output .....	43
<b>8</b>	<b><i>Service Information and Maintenance</i></b> .....	<b>45</b>
8.1	Preventive Maintenance of the RF Module on BLA-Type Amplifiers ..	45
	Operation .....	45
	<b><i>Figures</i></b> .....	<b>47</b>
	<b><i>Tables</i></b> .....	<b>49</b>

# General Information

# 1

## Introduction

## 1.1

The BLAH500 E Amplifier 500-600MHz INR is a broadband linear pulse power amplifier specifically designed for Nuclear Magnetic Resonance (NMR) application for 11,7 to 14,1 Teslas Systems. It is commercialized under the BRUKER BIOSPIN part number W1345509.

It is operated in AB linear class and provides 500W and more peak RF power over the frequency range 470-600MHz on the H500 output for the Solid applications and 50W and more peak RF power on the H50 output for the High Resolution applications.

The amplifier is equipped with **N-Channel RF LDMOSFETs** transistors of the latest generation. The unit can provide full power for any combination of pulse width and duty cycle up to 100ms and 20% in High Resolution mode and 10% in Solid mode.

Its built-in protection circuitry will allow lower power pulses for longer pulse widths and duty-cycles, maintaining a 50W average power for the Solid application on the H500 output and 10W average power for the High Resolution application on the H50 output.

The electronic protection circuitry has been designed to protect against:

- Excessive power output level (overdrive)
- Excessive pulse repetition rate (over duty-cycle protection)
- Excessive pulse duration (over pulse-width)
- More than 50% reflected RF power (mismatch when  $VSWR \geq 6$ )
- Thermal protection (overheat)

The amplifier is powered by an internal switched power supply assembly that provides the +32VDC for the power amplifiers, in addition to all low level voltages for the system.

The supply is self protected for overcurrent and overvoltage.

The entire unit is housed in a 19", 3U, 520mm rack cabinet.





---

The BLAH500 E Amplifier 500-600MHz is in accordance with the standard 61010-1 and with the UL 61010-1 / CSA C22.2 No.61010-1-04 Safety Requirements for Electrical Equipments.

---

## Identification Labels

2.1

Labels are provided to alert operating and service personnel to conditions that may cause personal injury or damage to the equipment from misuse or abuse. Please read the labels and understand their meaning.

### Identifying Plate

2.1.1

The BLAH500 E Amplifier 500-600MHz can be identified by an identifying plate at the front panel of the unit that contains the following information :

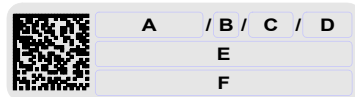


Figure 2.1. Identifying Plate

- **(A) Part Number**  
This field indicates the part number of the product.
- **(B) Variant**  
This field indicates the variant number that identifies the production category of the product. The default variant is 00.
- **(C) ECL**  
This field indicates the revision number that identifies the product configuration. The initial revision is 0.00.
- **(D) Serial Number**  
This field indicates the serial number of the product.
- **(E) Type**  
This field contains the designation of the product.
- **(F) Information**  
This field contains additional information about the product.

The BLAH500 E Amplifier 500-600MHz can be identified by a manufacturer's name plate at the back panel of the unit that contains the following information :

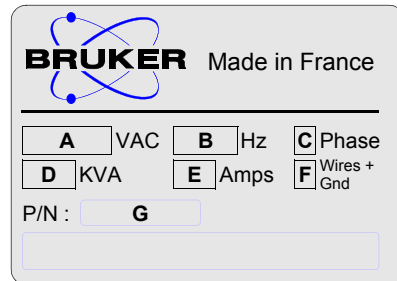


Figure 2.2. Manufacturer's Name Plate

- **(A) Voltage**  
This field indicates the input mains voltage of the product.
- **(B) Frequency**  
This field indicates the input mains frequency of the product.
- **(C) Phases**  
This field indicates the number of phases of the mains.
- **(D) Power**  
This field indicates the absorbed power of the product.
- **(E) Current**  
This field indicates the absorbed current of the product.
- **(F) Wires**  
This field indicates number of wires with the ground in the mains cord.
- **(G) Part Number**  
This field indicates the assembly number that identifies the part number of the product.



---

**Safety Labels and Symbols**

2.2

---

**Warning Signs**

2.2.1

**Danger****DANGER! Risk of electrical shocks**

Throughout this manual, this symbol indicates the possibility of severe personal injury, loss of life or equipment damage if the instructions are not followed.

On the equipment, the symbol also implies a danger and alerts the user.

**Instruction**

Operating personal should not remove RF output cable without turn off the power supply because the RF output can cause serious burns before the "Mismatch" protection is active.

Please disconnect the mains supply before opening to prevent potential hazard such as :

- Electrical shock from power supply
- Contact burns from the RF module and heatsink
- Finger scratch due to the fan assembly on the RF module.



# Installation

# 3

The installation of the device must be done only by an authorized and qualified technician, in total accordance with the running standards.

BRUKER BIOSPIN assumes no liability for the customer's failure to comply with these requirements and is therefore not responsible or liable for any injury or damage that occurs as a consequence of non-approved installation.

## ***Initial Inspection***

**3.1**

---

### ***Mechanical Check***

**3.1.1**

---

If damage of the shipping cardboard is evident, request the carrier's agent to be present when the instrument is unpacked. Check the equipment for damage and inspect the cabinet and panel surfaces for dents and scratches.

### ***Claim for Damage***

**3.1.2**

---

If the unit is mechanically damaged or fails to meet specifications upon receipt, notify BRUKER or our representative immediately. Retain the shipping cardboard and packing material for the carriers inspection as well as for subsequent use in returning the unit if necessary.

### ***Reshipment and Repackaging Requirements***

**3.1.3**

---

Whenever possible, the original cardboard and packing material should be used for reshipment. If the original packing material is not available, wrap the instrument in heavy paper or plastic. Use a strong shipping container. If cardboard is used, it should be at least 200 lbs. test material.

Use shock absorbing material around all sides of the instrument to provide a firm cushion and to prevent movement from inside the container wall on each side. Protect the front panel by means of cardboard spacers inserted between the front panel and the shipping cardboard. Make sure that the instrument cannot move in the container during shipping. Seal the cardboard box with a good grade of shipping tape and mark the container :

**"FRAGILE ELECTRONIC INSTRUMENT"**

## Installation

### **Environment Requirements**

**3.1.4**

This amplifier is built for inside use only on a maximum elevation of 2000m above sea level (6600 feet).

No specific cooling or ventilation is required.

Be sure that the amplifier has enough area around it so that the free air flow into and out of the amplifier is not obstructed.

It should, however, be in an environment which conforms to the 5°C - 45°C (41°F - 113°F) thermal specifications, a 80% maximum relative humidity of air and a contamination level of two (means a normal non-conductive contamination, temporary conductivity due to condensation is possible).

### **Installation Requirements**

**3.2**

No special precautions are necessary. Mount the equipment in an area which is relatively free of vibration, and has sufficient room for cable connections.

The amplifier has a class II installation category.

### **Bench Operation**

**3.2.1**

The unit can be placed onto a secure flat surface.

### **Power Requirements**

**3.3**

The BLAH500 E Amplifier 500-600MHz has a built-in switched power supply. The mains line connector on the rear panel is a CEI 10A.

#### **One Phase Line requirements :**

AC input voltage :	208-230VAC
Input current max :	3,4A
Frequency :	50/60Hz

### **System Check**

**3.4**

Before applying power for the first time the following items should be checked:

- The AC input voltage 208-230 VAC  $\pm$  10% range must be compatible with the power supply.
- An external blanking (gating) pulse must be supplied to the amplifier in order for the unit to function. Ensure that this pulse has a proper level and logic polarity.
- The BLAH500 E Amplifier 500-600MHz has a nominal input level of +4dBm. Ensure that the system drivers are operating at these levels.
- Output RF loads are connected.

The following list describes how to turn on the BLAH500 E Amplifier 500-600MHz and what should be seen as this occurs.

Before starting this procedure, make sure that you have properly followed the instructions in section **"System Check" on page 12.**

1. Connect the amplifier to the AC line and turn the line switch to ON.
2. Observe the indicators on the front panel of the amplifier :
  - The +32V ON LED's will illuminate,
  - The +15V, -15V and +3,3V ON LED's will illuminate.
3. System is now fully operational.



# Operation

# 4

## Front Panel Description

4.1

The BLAH500 E Amplifier 500-600MHz front panel is provided with 12 indicators for status monitoring, 7 RF connectors, 1 interface connector and 1 line switch.

## Indicators

4.1.1

Normal operation is indicated when following LED's are ON.

Table 4.1. Indicators Assignment

+32V	Indicates that the +32V supply is applied.
+15V	Indicates that the +15V supply is applied.
-15V	Indicates that the -15V supply is applied.
+3,3V	Indicates that the +3,3V supply is applied.
Overdrive	Indicates when the peak power limit has been reached.
Duty Cycle (D.C.)	Indicates when the duty cycle limit has been reached.
Pulse Width (P.W.)	Indicates when the pulse width limit has been reached.
Mismatch	Indicates when the max. reflected power limit has been reached.
RF POW. FLT	Indicates when one of the above limits has been reached.
Overheat	Indicates that the thermistor located on the RF module heatsink has sensed excessive heatsink temperature. The amplifier is blanked until an acceptable temperature is reached. The function is self-resetting and no maintenance is needed. Indicates also that a fan on the assembly stops turning. The amplifier is blanked until fans are changed.
H500 ON	Indicates when the RF Power is present on the Solid output.
H50 ON	Indicates when the RF Power is present on the High Resolution output.

Table 4.2. Coaxial Connectors Assignment

<b>IN1, IN2, IN3</b>	RF input of the embedded router, SMA type connector (female). Defaults entry is IN1 and allows to the BLAH500 E to deliver full power at nominal +4dBm drive.
<b>H500</b>	RF OUT H500 (Solid output), N type connector (female).
<b>H50</b>	RF OUT H50 (High Resolution output), N type connector (female).
<b>BLNK</b>	Blanking input, BNC type connector (female). TTL logic, 5V = blanking ON, 0V = blanking OFF. When BLANKING signal is at TTL level high (+5V), no gating is applied to the amplifier stages, and no RF Power is possible. When BLANKING signal is at TTL level low (0V), the amplifier stages are gated and RF Power is possible.
<b>SEL H500/H50</b>	Select input, BNC type connector (female). When the SEL H500/H50 signal is at TTL level low (0V), the Solid output H500 is selected. When the SEL H500/H50 signal is at TTL level high (+5V), the High Resolution output H50 is selected.

The RJ45 connector for the Ethernet 10/100 Mbps link is mounted directly on the BLA Control Board.

Table 4.3. RJ45 Pin Assignment

<b>Pin 1</b>	Transmit + (Tx+)
<b>Pin 2</b>	Transmit - (Tx-)
<b>Pin 3</b>	Receive + (Rx+)
<b>Pin 4</b>	N/A
<b>Pin 5</b>	N/A
<b>Pin 6</b>	Receive - (Rx-)
<b>Pin 7</b>	N/A
<b>Pin 8</b>	N/A



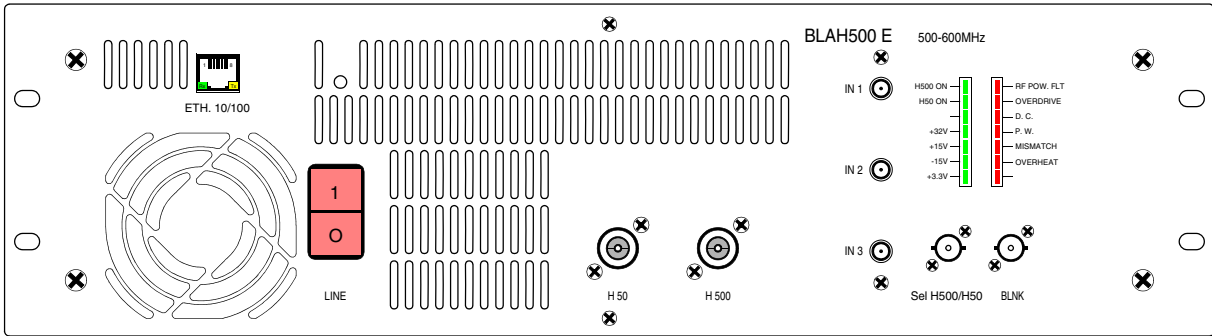


Figure 4.1. BLAH500 E Amplifier 500-600MHz Front Panel Design

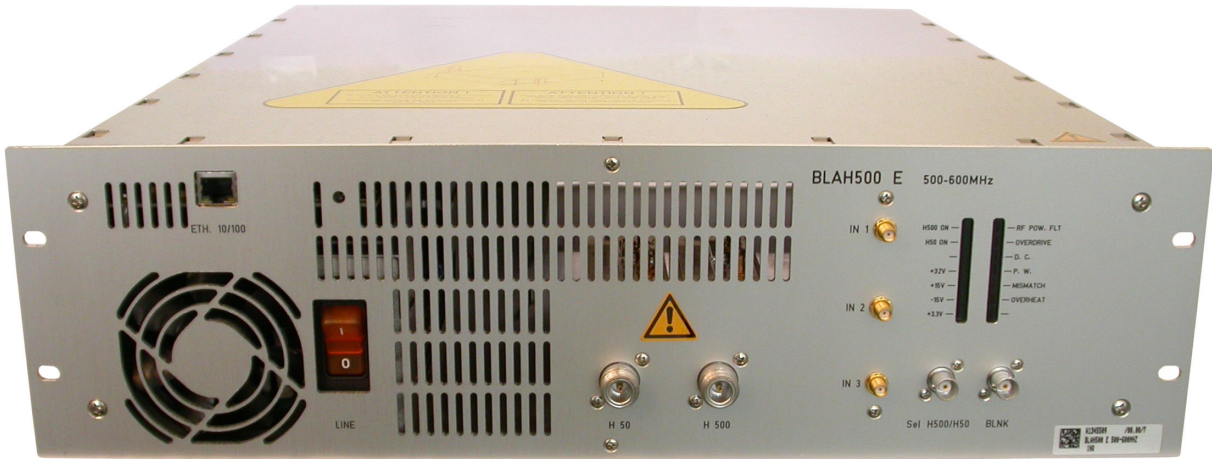


Figure 4.2. BLAH500 E Amplifier 500-600MHz Front Panel View

## Rear Panel Description

4.2

The BLAH500 E Amplifier 500-600MHz rear panel is free of elements in exception of the 3 poles (2P+E) line filter socket.

## Device Rear View

4.2.1

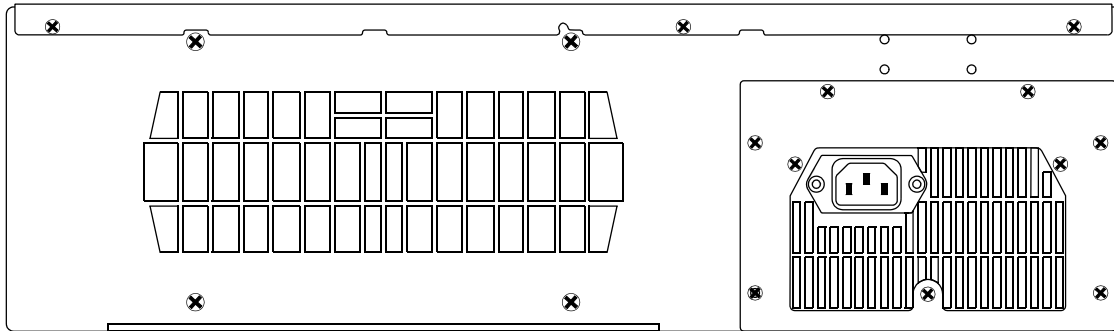


Figure 4.3. BLAH500 E Amplifier 500-600MHz Rear Panel Design

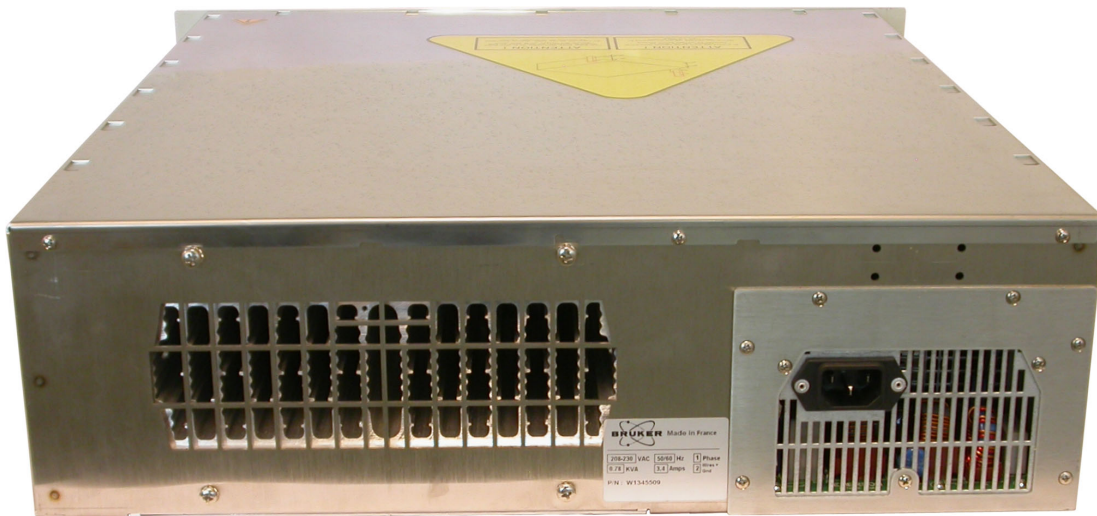


Figure 4.4. BLAH500 E Amplifier 500-600MHz Rear Panel View

The BLAH500 E Amplifier 500-600MHz provides :

- A RF Output of 500W and more on the Solid Output H500, over the full frequency range 470 to 600MHz, when selected for Solid operation with SEL H500/H50 command controlled at TTL level low.
- A RF Output of 50W and more on the High Resolution Output H50, over the full frequency range 470 to 600MHz, when selected for High Resolution operation with SEL H500/H50 command controlled at TTL level High.

The RF section of the system consists of an embedded router fixed on the front panel and a linear module BLMH500/H50-E mounted around a single self-contained Push fan assembly heatsink.

The embedded router has three RF inputs and one RF output feeded to the driver amplifier located on the BLMH500/50-E module.

A linear class A / AB driver using switches and bias voltage gatings, delivers the RF input power to the Power Amplifier. This driver is located on the top of the heatsink assembly.

The class AB power amplifier is located on the bottom of the heatsink assembly.

The output of the power amplifier is connected to a bi-directional high dynamic coupler mounted on the front panel of the amplifier. This output will be the Solid H500 output when the amplifier is controlled for Solid applications.

When controlled for High Resolution applications, the output of the driver is switched to the front panel H50 output via a RF relay and a bi-directional high dynamic coupler.

The entire system is controlled by a Digital Signal Processing control board, processing information from the amplifier and blanking signal, providing protection from excessive peak power, duty cycle and pulse width for average power, maximum reflected power and heatsink over-temperature.

The DSP control board reads the identification information of the amplifier (BIS).

Monitoring of fan status, supply status and LED's status is also performed by the control board.

Circuits such as BLAC6 Extension Board 1 Channel and Status LED's board, complete the amplifier assembly.

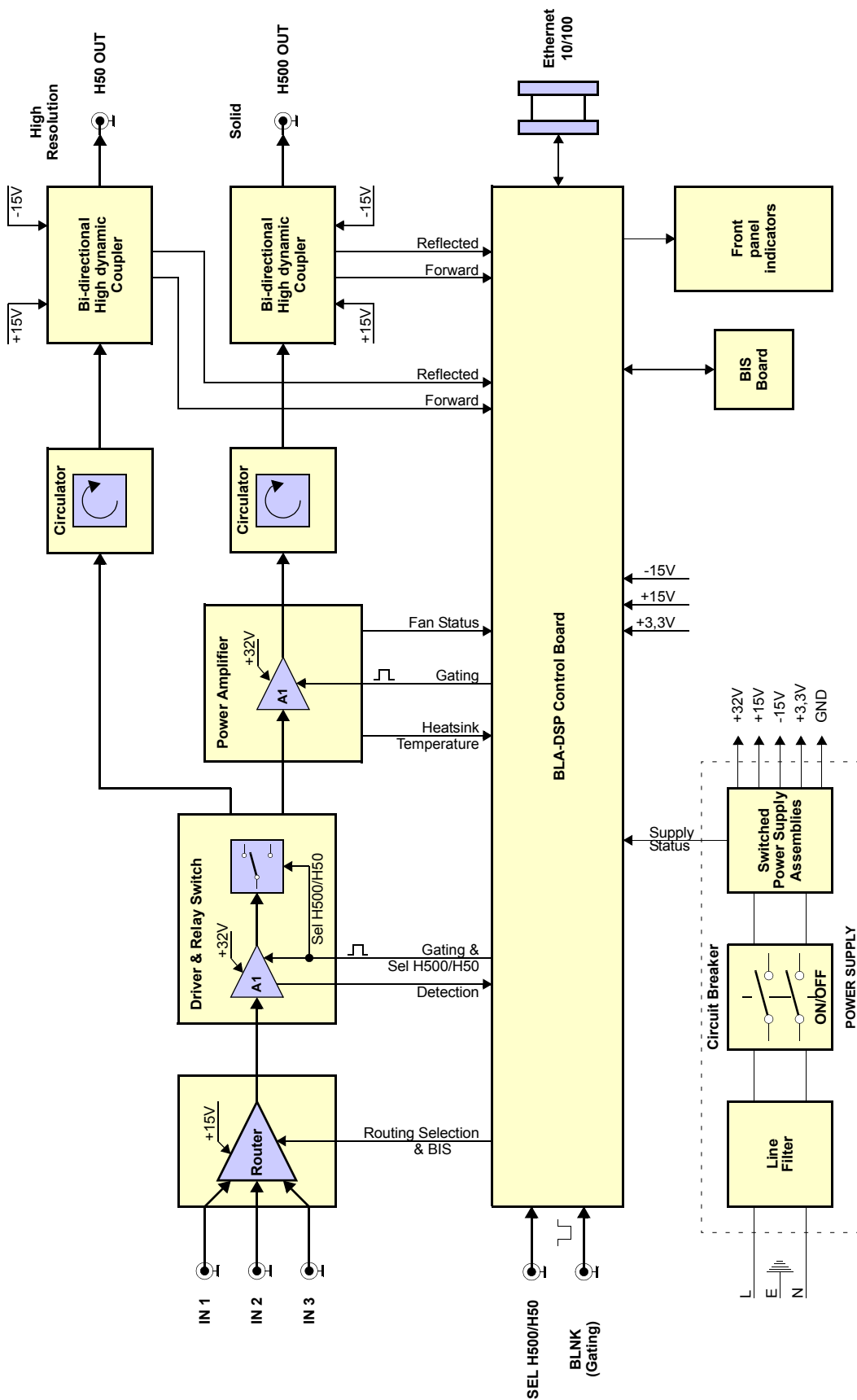


Figure 5.1. BLAH500 E Amplifier 500-600MHz System Block Diagram

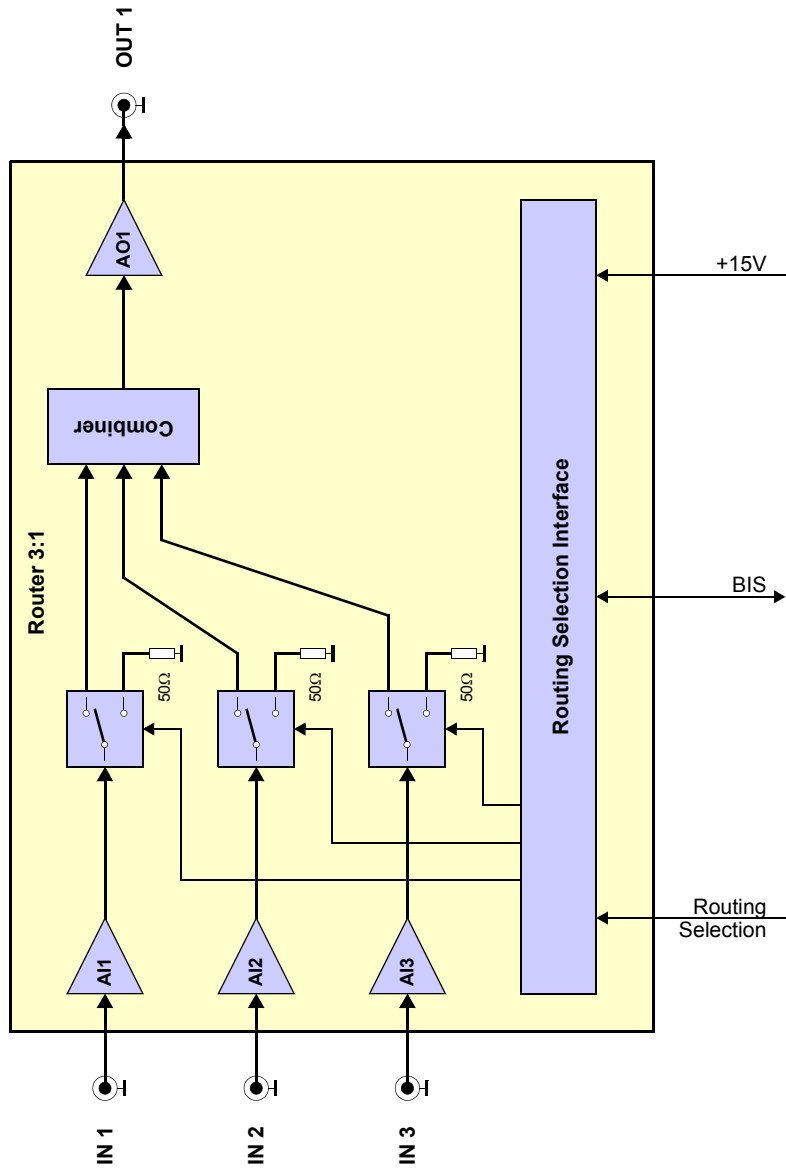


Figure 5.2. Embedded Router Block Diagram

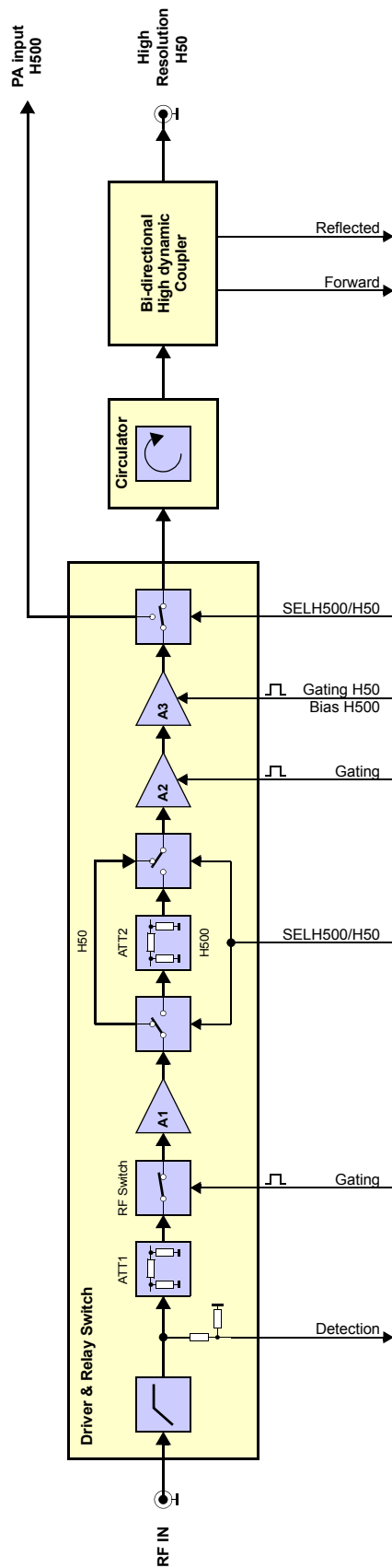


Figure 5.3. Driver & Relay Switch Block Diagram

The BLAH500 E Amplifier 500-600MHz (P/N: W1345509) consists of a 3 input embedded router, a class A / AB driver amplifier and a class AB power amplifier.

A nominal input power level of +4dBm produces a rated linear output power of :

- 50W peak for 20% duty cycle at 100ms pulse width maximum on the High Resolution output H50 when selected as an High Resolution amplifier.  
In this case, the output of the 50W driver is directly switched to the front panel via a mechanical relay, a circulator and a bi-directional high dynamic coupler.
- 500W peak for 10% duty cycle at 100ms pulse width maximum on the Solid output H500 when selected as a Solid amplifier.  
In this case, the output of the 50W driver is switched to the input of the power amplifier via a mechanical relay.

The unit is also capable of longer pulses for lower average power, up to 50W CW power on the Solid output H500 and 10W CW power on the High Resolution output H50.

#### **Embedded Router**

The embedded router consists of a class A RF amplifier IC's and RF switches, manufactured on a Gallium Arsenide process.

It is built on a four independent cells architecture with three RF input cells and one output cell. The RF input cells ensure function of amplification and routing, the output cell ensures the functions of combining, RF amplitude thermo-stability and amplification.

The three RF inputs could be routed alone or combined each other to the RF output by selecting the wished RF path through the BLA controller board. Each entire RF path has a nominal 15dB of gain and operates at +15VDC.

Also, the router is equipped with an EEPROM for BIS information.

#### **RF Driver**

In the first section of the driver, the RF input signal is fed through a 5 poles high pass filter and the RF detection path. Then, via a thermal PAD attenuator and a GaAs RF switch, the RF signal is conveyed to a hybrid amplifier.

In this section, the GaAs RF switch requires a control board conditioned gating signal to control the operation of the switching element.

A commutable H500/H50 attenuator follows the hybrid amplifier.

This attenuator is built of two GaAs RF switches, commutated by a control board conditioned signal SEL H500/H50 and a thermo-compensated attenuator for compensation of the output power drift with temperature of the amplifier when the H500 output is selected.

This commutable attenuator is needed to minimize gain of about 5dB when the amplifier is operating in Solid application and provides full gain in High Resolution application. It is divided in variable resistive attenuator to adjust output power and the Thermal PAD.

The second section of the driver includes a class AB MOSFET transistor followed by a class AB LDMOSFET transistor.

The polarization of these transistors require a control board conditioned gating signal to control the bias voltage on the gate of the FET and depends of the selection H500/H50 to prevent the increasing of anti-droop behaviour. If the H500 output is selected, the gating signal is unblanked else if the H50 output is selected, it is blanked.

The circuitry around the transistors consists of complementary input and output transformers and baluns and operates the device in Push-Pull.

The RF driver has a nominal 25 to 30dB gain and operates at +32VDC.

With the embedded router gain, the entire path has a nominal 45dB gain in H50 mode for High Resolution operation and 40dB gain to drive the H500 power amplifier stage for Solid operation.

### ***RF Relay H500/H50 Selection***

The coaxial RF relay switches the RF power from the driver via a circulator and bi-directional high dynamic coupler to the High Resolution H50 output on the front panel, when the SEL H500/H50 signal is controlled to TTL level high or not connected.

When controlled by SEL H500/H50 signal at TTL level low, the relay switches the output of the driver to the power amplifier to built the Solid H500 output.

### ***RF Coupler H50***

The H50 bi-directional high dynamic coupler provides an approximate 1V peak DC signal for full 50W and also a peak DC signal for reflected power on the High Resolution H50 output.

Both signals, forward and reflected, are analyzed by the BLA control board for monitoring and protection setting on the H50 output.

### ***RF Power Amplifier***

The power amplifier includes four class AB LDMOSFET transistors mounted on a single flange. They are coupled with -6dB four ways splitter/combiner to built a nominal 16dB gain and operates at +32VDC. The power amplifier requires a control board conditioned gating signal to control the bias voltage on the gate of the FETs.

### ***RF Coupler H500***

The H500 bi-directional high dynamic coupler on the front panel provides an approximate 1V peak DC signal for full 500W and also a peak DC signal for reflected power on the Solid H500 output.

Both signals, forward and reflected, are analyzed by the BLA Control board for monitoring and protection setting on the H500 output.

### ***Circulator***

The RF circulator is a three-port passive device made of magnets and ferrite material used to control the direction of signal flow in a circuit. In our case, the circulator is used as an isolator to protect the output power transistor from excessive signal reflection. There is a circulator incorporated at the end of the power amplifier, just before the high dynamic coupler.



The BLA Control Board has 3 main functions:

1. Conditions the input blanking (BLNK) signal and delivers it to the above mentioned RF Paths.
2. Allows Ethernet communication with the workstation.
3. Monitor the output characteristics of the amplifier thanks to the DC peak detection of the bi-directional coupler.  
Electronic circuitry processes the detection information and protect the amplifier from overstress like :
  - Forward and reflected peak power

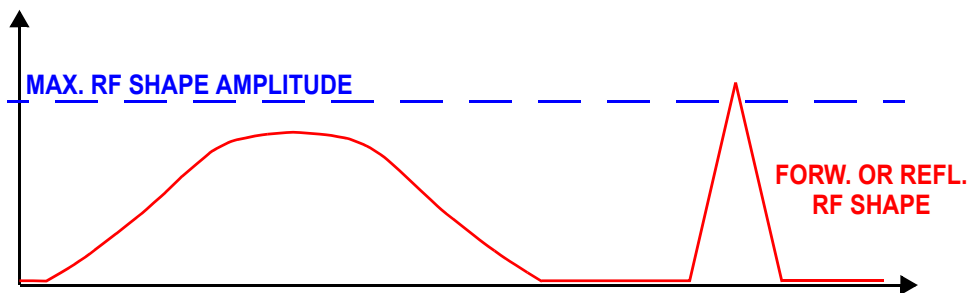


Figure 5.4. Peak Power Limitation

The peak power limitation is the maximum RF forward shape amplitude allowed at the amplifier output.

Limitation range : from 1% to 200% of nominal power.

The peak power limitation is checked for each sample (10 million samples per second), and the maximum peak value is latched then cleared by a read operation (for monitoring purpose).

- Forward pulse width

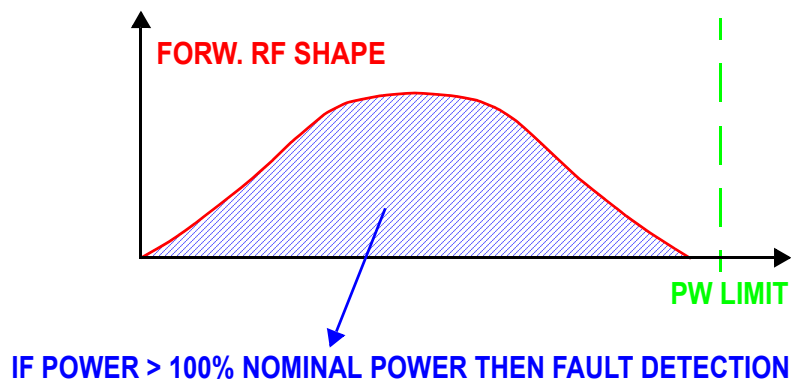


Figure 5.5. Forward Pulse Width Limitation

## Technical Description

The pulse width is the lapse of time during which the nominal power can be applied.

Limitation range : from 0.1ms to 512ms.

The pulse width value is updated every 100µs.

- Forward pulse duty cycle

The duty cycle value is the ratio between measured input power during pulse width limitation value divided by duty cycle limitation value and the nominal power during the same time.

For example, if the pulse width limitation is set to 3ms and duty cycle is limited to 10%, then duty cycle value equals the measured input power during 30ms (3ms / 0.1) divided by the nominal power during 30ms.

Limitation range : from 1% to 100%.

The duty cycle value is updated every 100µs.

- Excess of reflected power (Mismatch)

The mismatch value is the ratio between the reflected power value and the forward power value.

Limitation range : from 1% to 100%.

The mismatch value is updated every 100µs.

- Other protections

The control board also detects the following faults :

- Power supply fault
- Fan failure
- Heat sink temperature to protect against thermal overstress
- Fault detection timings

Table 5.1. *Fault Detection Timings*

Fault	Detection delay (max)
Peak power	500 ns
Duty cycle	100 µs
Pulse Width	100 µs
Mismatch	100 µs
Power Supply, Fan	200 ns
Heat sink temperature	500 ms

Peak, pulse width, duty cycle, mismatch and also mean power values can be read out at any time from the main DSP for monitoring purpose.

- Fault protection reset.

If one of these overstresses appears the board automatically resets the fault flags after 2 seconds, the gating signal is disabled and the status led board on the front panel displays the fault.

This means, for example, that when a pulse width fault occurs, the amplifier channel is disabled after the detection delay. The side effect is that the fault condition disappears since the channel's output power is null.

After 2 seconds, the channel is switched on and the cycle begins again (unless the channel RF input signal is re-adjusted to meet the power limitations).

### **BLA Extension Board**

**5.2.3**

---

This board gives the information to the control board of RF detection.

### **Status Led Board**

**5.2.4**

---

The status led board, on the front panel of the amplifier, displays overstress functions, supplies status, and so on, as described in **"Indicators" on page 15** and **"BLA Control Board" on page 25**.

### **BIS Board**

**5.2.5**

---

The universal BIS board is located on the amplifier case and contains identifications of the amplifier.



---

[Technical help : please contact your local representative.](#)

---



# *Servicing the BLA*

# 6

The BLAH500 E Amplifier 500-600MHz provides diagnosis and servicing web pages relies on HTTP, allowing service access with any web browser.

## *Accessing the BLA Amplifier*

## **6.1**

The BLAH500 E Amplifier 500-600MHz is accessible via the BLA control board with its IP address.

The IP address is given during "cf" by using TOPSPIN 2.xx software on the workstation.

In case of problems :

- Check the RJ45 cabling between amplifier, Ethernet switch and workstation.
- Check the Ethernet switch power.
- Check if the green LED on the amplifier RJ45 connector lights up.
- Check the front panel of the amplifier, LED's indicators +32V, +15V, -15V and +3.3V ON must have lit.

To access the BLAH500 E Amplifier 500-600MHz, type "**ha**" in TOPSPIN 2.xx or better and choose the BLA that should be accessed or start your favourite web browser and type the given IP address as URL.

You should get the following start screen.

**think forward**

**Device Information**

Name: BLAH500 E 500-600MHZ INR  
 Part number: W1345509  
 Serial number: 0001  
 Ecl: 0  
 Manufacturing location: BFR  
 Manufacturing date: 8/19/09  
 BIS type: BLA

**Software Versions**

Boot version: 20051018  
 Kernel version: Windows CE 5.0  
 Application version: BLAC6\_20090311

**Channel Information**

Ch.	Type	Nom. power	Min freq.	Max freq.	Limits				Output num.	Input num.
					Duty cycle	Pulse width	Mismatch	Forw. peak		
1	H	500 W	470 MHz	600 MHz	10 %	100 ms	250 W (50 %)	1000 W (200 %)	1	Via router

**High Resolution Option Information**

Ch.	Nom. power	Duty cycle	Pulse width	Limits		Output num.
				Mismatch	Forw. peak	
1	50 W	20 %	100 ms	25 W (50 %)	100 W (200 %)	2

© 2005-2008 Bruker Biospin SA. All rights reserved.

Figure 6.1. Device Information

This page gives you general information about the amplifier (default page).

In the main toolbar, we can see that a BLA is displayed.

The left panel is the navigation menu. It can be used to navigate through the service pages or choose another tab in the sub toolbar.

Leads you to a page giving information about the current status of the amplifier.

**Bruker Linear Amplifiers**

BLA

Information Advanced Operations Maintenance

**Amplifier status**

Name: BLAHS00 E 500-600MHZ INR  
 Part number: W1345509  
 Serial number: 0001  
 Ecl: 0

	Channel 1 (HR)
Type:	H
Nominal power:	50 W
Forward peak power:	0.00 %
Forward average power:	0.00 %
Reflected power:	0 %
Overdrive:	OK
Pulse width:	OK
Duty cycle:	OK
Mismatch:	OK
General gating fault:	OK
Supply:	OK
Thermal:	OK
Blanking signal state:	inactive
Input power:	none
Output power:	none
High resolution state:	active
Switchbox position:	0xFF

This page is automatically refreshed every 10 seconds

© 2005-2008 Bruker Biospin SA. All rights reserved.

Figure 6.2. Amplifier Status (High Resolution)

**Bruker Linear Amplifiers**

BLA

Information Advanced Operations Maintenance

**Amplifier status**

Name: BLAHS00 E 500-600MHZ INR  
 Part number: W1345509  
 Serial number: 0001  
 Ecl: 0

	Channel 1
Type:	H
Nominal power:	500 W
Forward peak power:	0.00 %
Forward average power:	0.00 %
Reflected power:	0 %
Overdrive:	OK
Pulse width:	OK
Duty cycle:	OK
Mismatch:	OK
General gating fault:	OK
Supply:	OK
Thermal:	OK
Blanking signal state:	inactive
Input power:	none
Output power:	none
High resolution state:	inactive
Switchbox position:	0xFF

This page is automatically refreshed every 10 seconds

© 2005-2008 Bruker Biospin SA. All rights reserved.

Figure 6.3. Amplifier Status (Solid)

You should get the following start screen.

**think forward**

**Device Information**

Name: BLAH500 E 500-600MHZ INR  
 Part number: W1345509  
 Serial number: 0001  
 Ecl: 0  
 Manufacturing location: BFR  
 Manufacturing date: 8/19/09  
 BIS type: BLA

**Software Versions**

Boot version: 20051018  
 Kernel version: Windows CE 5.0  
 Application version: BLAC6\_20090311

**Channel Information**

Ch.	Type	Nom. power	Min freq.	Max freq.	Limits				Output num.	Input num.
					Duty cycle	Pulse width	Mismatch	Forw. peak		
1	H	500 W	470 MHz	600 MHz	10 %	100 ms	250 W (50 %)	1000 W (200 %)	1	Via router

**High Resolution Option Information**

Ch.	Nom. power	Duty cycle	Pulse width	Limits		Output num.
				Mismatch	Forw. peak	
1	50 W	20 %	100 ms	25 W (50 %)	100 W (200 %)	2

© 2005-2008 Bruker Biospin SA. All rights reserved.

Figure 6.4. Device Information

This page gives you general information about the amplifier.

The left panel is the navigation menu. It can be used to navigate through the service pages or choose another tab in the sub toolbar.



Leads you to a page giving several default and current limits of the amplifier.

If you want, for any reasons, to change the current limits of the amplifier, press **Change limits**.

**Amplifier limitations**

Name: BLAHS00 E 500-600MHZ INR  
 Part number: W1345509  
 Serial number: 0001  
 Ed: 0

High Resolution Option Information

Channel 1 (HR)				Limits				Output num.	Input num.
Type	Nom. power	Min freq.	Max freq.	Duty cycle	Pulse width	Mismatch	Forw. peak		
H	50 W	470 MHz	600 MHz	20 %	100 ms	25 W (50 %)	100 W (200 %)	2	Via router
Current limits :				20 %	100 ms	25 W	100 W	<a href="#">Change limits</a>	

think forward

© 2005-2008 Bruker Biospin SA. All rights reserved.

Figure 6.5. Amplifier Limitations (High Resolution)

**Amplifier limitations**

Name: BLAHS00 E 500-600MHZ INR  
 Part number: W1345509  
 Serial number: 0001  
 Ed: 0

Channel Information

Channel 1				Limits				Output num.	Input num.
Type	Nom. power	Min freq.	Max freq.	Duty cycle	Pulse width	Mismatch	Forw. peak		
H	500 W	470 MHz	600 MHz	10 %	100 ms	250 W (50 %)	1000 W (200 %)	1	Via router
Current limits :				10 %	100 ms	250 W	1000 W	<a href="#">Change limits</a>	

think forward

© 2005-2008 Bruker Biospin SA. All rights reserved.

Figure 6.6. Amplifier Limitations (Solid)

Read the warnings, change limit parameters and press **Apply** if you are sure of that.



**Bruker Linear Amplifiers**

BLA

Information **Advanced Operations** Maintenance

**Advanced Operations**  
Amplifier limitations  
Routing information & setting

**Channel limitations**

Name: BLAH500 E 500-600MHZ INR  
Part number: W1345509  
Serial number: 0001  
Ecl: 0

High Resolution Option Limitations

Changing these settings will overwrite the limitations defined with the spectrometer software. Please use this page for test purposes only.

Type :	H			
Nominal power :	50 W			
	Default	Current	New	Maximum
Duty cycle limit :	20 %	20 %	<input type="text" value="20"/> %	20 %
Pulse width limit :	100 ms	100 ms	<input type="text" value="100"/> ms	100 ms
Mismatch limit :	25 W (50 %)	25 W	<input type="text" value="25"/> W	50 W
Forward peak limit :	100 W (200 %)	100 W	<input type="text" value="100"/> W	100 W
	<input type="button" value="Apply"/>			
Output number :	2			
Input number :	Via router			
Input number :	1			

think forward

© 2005-2008 Bruker Biospin SA. All rights reserved.

Figure 6.7. Change Limits (High Resolution)



**Bruker Linear Amplifiers**

BLA

Information **Advanced Operations** Maintenance

**Advanced Operations**  
Amplifier limitations  
Routing information & setting

**Channel limitations**

Name: BLAH500 E 500-600MHZ INR  
Part number: W1345509  
Serial number: 0001  
Ecl: 0

Channel 1 limitations

Changing these settings will overwrite the limitations defined with the spectrometer software. Please use this page for test purposes only.

Type :	H			
Nominal power :	500 W			
Min. frequency :	470 MHz			
Max. frequency :	600 MHz			
	Default	Current	New	Maximum
Duty cycle limit :	10 %	10 %	<input type="text" value="10"/> %	10 %
Pulse width limit :	100 ms	100 ms	<input type="text" value="100"/> ms	100 ms
Mismatch limit :	250 W (50 %)	250 W	<input type="text" value="250"/> W	500 W
Forward peak limit :	1000 W (200 %)	1000 W	<input type="text" value="1000"/> W	1000 W
	<input type="button" value="Apply"/>			
Output number :	1			
Input number :	Via router			

think forward

© 2005-2008 Bruker Biospin SA. All rights reserved.

Figure 6.8. Change Limits (Solid)

Leads you to a page giving information about the current routed RF path at the amplifier inputs.

Default RF path is INPUT 1 to CHANNEL 1.

**Bruker Linear Amplifiers**

BLA

Information | **Advanced Operations** | Maintenance

**Routing Information & Setting**

Name: BLAHS00 E 500-600MHZ INR  
 Part number: W1345509  
 Serial number: 0001  
 Ed: 0

Changing these settings will overwrite the routes defined with the spectrometer software. Please use this page for test purposes only.

Input routing

Input number	Current channel	Possible channels	New route
1	1	1	Channel 1 <input type="button" value="set new route"/>
2	-	1	no route <input type="button" value="set new route"/>
3	-	1	no route <input type="button" value="set new route"/>

Output routing

Output number	Current channel	Possible channels	New route
1	1	1	Fixed route
2	1	1	Fixed route

think forward

© 2005-2008 Bruker Biospin SA. All rights reserved.

Figure 6.9. Routing Information and Setting

Read the warnings, it is allowed to change routing configuration of the input router (ex: new route INPUT 2 to CHANNEL 1), press **set new route** if you are sure of that.

You should get the following start screen.

The screenshot shows the Bruker Linear Amplifiers web interface. At the top right is the Bruker logo. Below it is a navigation bar with tabs for 'Information', 'Advanced Operations', and 'Maintenance'. The 'Maintenance' tab is selected. On the left is a blue sidebar with a 'Maintenance' menu containing options: 'Self test & Software reset', 'Firmware update', and 'BIS content'. The main content area is titled 'Device Information' and contains three sections: 'Device Information' (with fields for Name, Part number, Serial number, Ecl, Manufacturing location, Manufacturing date, and BIS type), 'Software Versions' (with fields for Boot version, Kernel version, and Application version), and 'Channel Information' (a table with columns for Ch., Type, Nom. power, Min freq., Max freq., Duty cycle, Pulse width, Mismatch, Forw. peak, Output num., and Input num.). Below the Channel Information table is a 'High Resolution Option Information' table with columns for Ch., Nom. power, Duty cycle, Pulse width, Mismatch, Forw. peak, and Output num. The text 'think forward' is visible on the left side of the screenshot.

**Device Information**

Name: BLAH500 E 500-600MHZ INR  
 Part number: W1345509  
 Serial number: 0001  
 Ecl: 0  
 Manufacturing location: BFR  
 Manufacturing date: 8/19/09  
 BIS type: BLA

**Software Versions**

Boot version: 20051018  
 Kernel version: Windows CE 5.0  
 Application version: BLAC6\_20090311

**Channel Information**

Ch.	Type	Nom. power	Min freq.	Max freq.	Limits					
					Duty cycle	Pulse width	Mismatch	Forw. peak	Output num.	Input num.
1	H	500 W	470 MHz	600 MHz	10 %	100 ms	250 W (50 %)	1000 W (200 %)	1	Via router

**High Resolution Option Information**

Ch.	Nom. power	Duty cycle	Pulse width	Limits		
				Mismatch	Forw. peak	Output num.
1	50 W	20 %	100 ms	25 W (50 %)	100 W (200 %)	2

© 2005-2008 Bruker Biospin SA. All rights reserved.

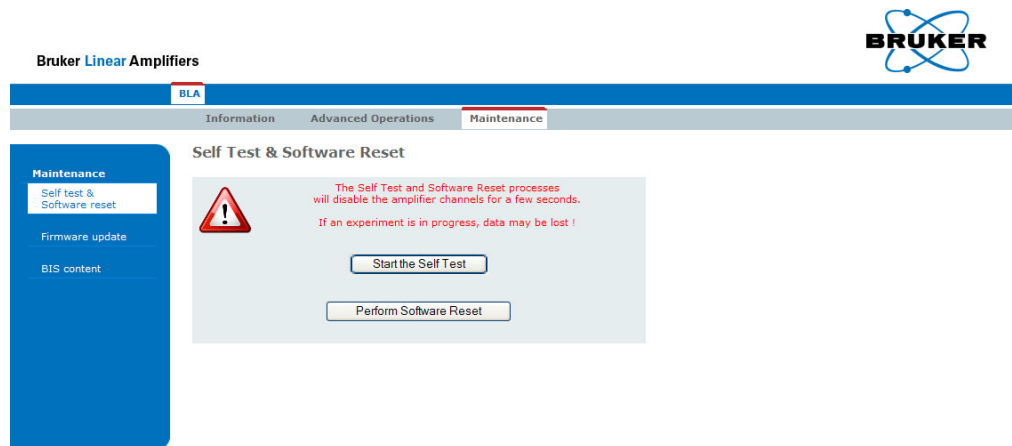
Figure 6.10. Device Information

This page gives you general information about the amplifier.

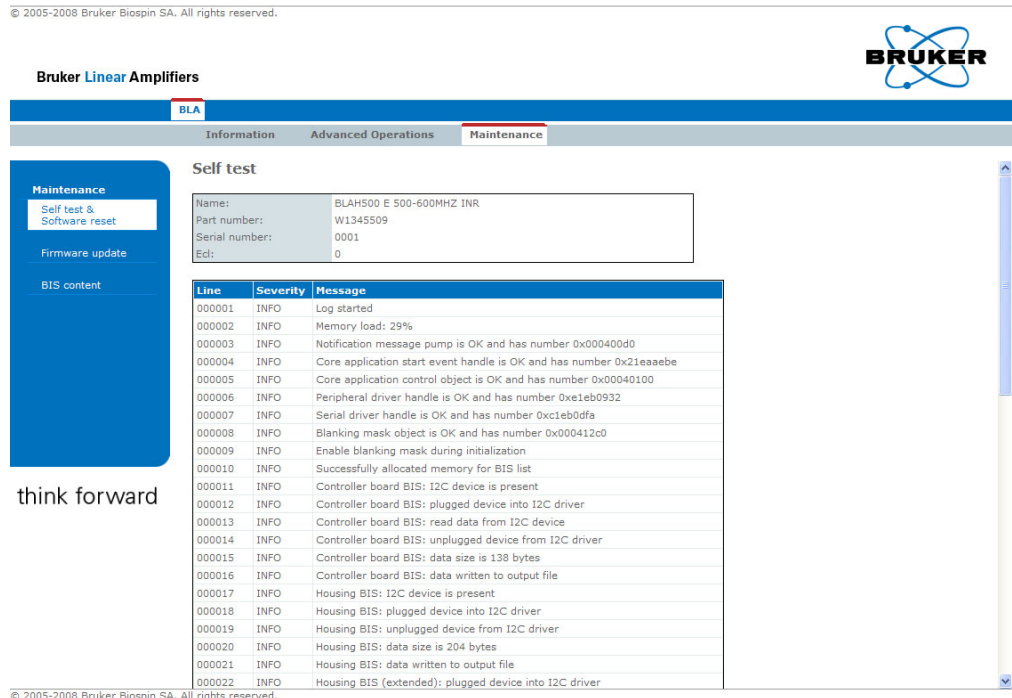
The left panel is the navigation menu. It can be used to navigate through the service pages or choose another tab in the sub toolbar.

Leads you to a page allowing you to do a self-test on the BLA control board (Hardware test) and to do a software reset.

Both operations can be done if the amplifier doesn't work correctly.



think forward

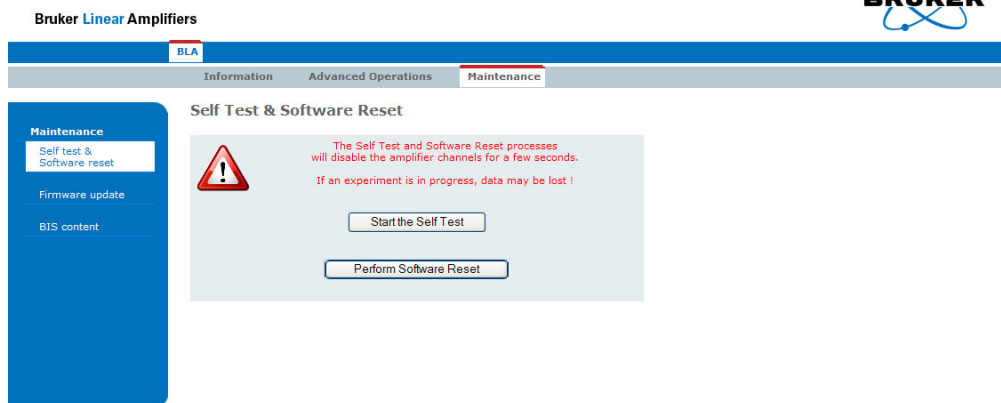


think forward

Figure 6.11. Perform Self Test and Report

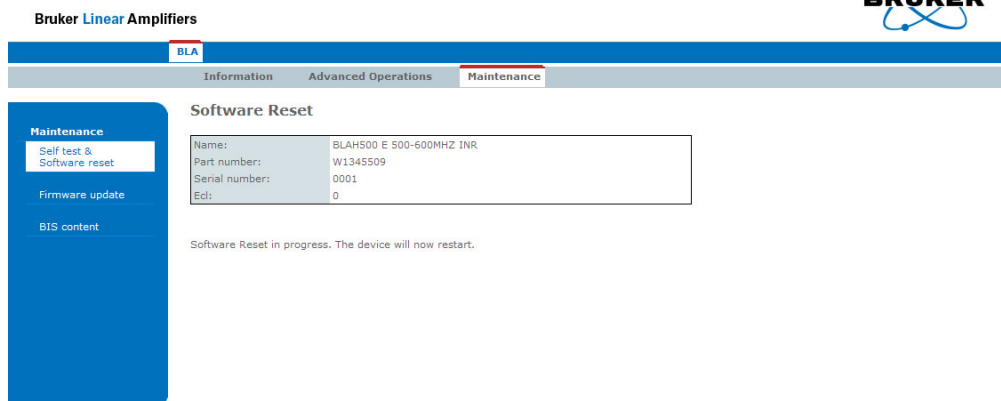
Read the warnings, press **Start the Self Test**.

You should have only gray lines in the report.



think forward

© 2005-2008 Bruker Biospin SA. All rights reserved.



think forward

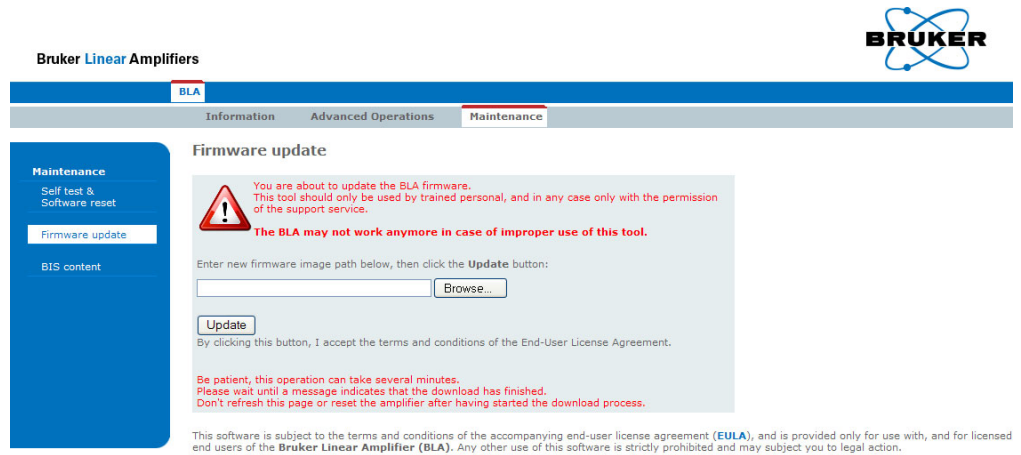
© 2005-2008 Bruker Biospin SA. All rights reserved.

*Figure 6.12. Perform Software Reset and Report*

Read the warnings, press **Perform Software Reset**.

You should have the following screen.

Leads you to a page allowing you to download new firmware.



think forward

© 2005-2008 Bruker Biospin SA. All rights reserved.

Figure 6.13. Firmware Update

Read the warnings, press the **Browse** button for selecting the new firmware file to download and press **Update**. Download the new firmware will take a few minutes.



**NOTE :** This button caption depends on your operating system language settings.

Leads you to a page giving information about the current BIS programmed on the amplifier.



**Bruker Linear Amplifiers**

BLA

Information    Advanced Operations    Maintenance

**Maintenance**

- Self test & Software reset
- Firmware update
- BIS content**

**BIS Content**

BIS Id:	1
BIS description:	BLA Controller
BIS type:	BLAC
BIS content:	\$Bis,1,20071214,2048,BLAC,1# \$Prd,W1522050,0197,2,BDE,20071214# \$Nam,BLA CONTROL BOARD 6 2V H-USB# \$CtrlVers,1,0,6,0# \$EndBis,42, a4#
BIS Id:	2
BIS description:	BLA Housing
BIS type:	BLA
BIS content:	\$Bis,1,20090819,2048,BLA,3# \$Prd,W134509,0001,0,BFR,20090819# \$Nam,BLAHS00 E 500-600MHZ INR# \$Amp,1,1,1,H,,500,F8,10,100,470,600,1,0,50,200,200,# \$HROpt,1,0,1,,50,20,100,470,600,2,50,200,200# \$EndBis,30, 47#
BIS Id:	3
BIS description:	Mini-Router
BIS type:	BLAROUTER
BIS content:	\$Bis,1,20080313,2048,BLAROUTER,1# \$Prd,W1345212,0401,0,BFR,20080313# \$Nam,BLMMR31 RF AMPLIFIER MODULE# \$RtInChar,1,0,10,1000,15# \$RtInPath,1,0,1,1,1# \$RtInPath,1,0,2,1,1# \$RtInPath,1,0,3,1,1# \$EndBis,5b, 09#

think forward

© 2005-2008 Bruker Biospin SA. All rights reserved.

Figure 6.14. BIS Content



# Specifications

# 7

## Common Characteristics

## 7.1

Table 7.1. Amplifier Common Characteristics

<b>Constant Internal Protection</b>	Supplies, fans faults and over temperature. Forward Power : peak & CW power, pulse width and duty cycle. Reflected Power : peak & CW power, self resetting protection shuts the amplifier off if the load VSWR is excessive.
<b>Front Panel Indicators</b>	Amplifier Status Led Board.
<b>Front Panel Interfaces</b>	1 x I/O 8 pins RJ45 connector.
<b>Front Panel Controls</b>	1 x AC line ON/OFF switch, 1 x SEL H500/H50 control signal.
<b>Front Panel Connectors</b>	3 x RF input, 2 x RF output, 1 x blanking input (gating).
<b>Rear Panel Connectors</b>	1 x AC line in socket.
<b>Cooling System</b>	Forced-air cooling (from front to rear).
<b>Size</b>	19" rack cabinet x 3U height x 520mm depth.
<b>Weight</b>	19kg
<b>Power Requirements</b>	208-230 VAC $\pm$ 10% single phase 50-60Hz. Bruker Biospin part number W1304006. Consumption max. 0.78kVA.

## Specifications

### General Specifications

7.2

#### Channel High Resolution 50W Output

7.2.1

Table 7.2. Channel High Resolution 50W Output Specifications

<b>Frequency Range</b>	470 to 600MHz
<b>Linear Gain</b>	45dB $\pm$ 1dB typical
<b>Gain Flatness</b>	$\pm$ 1.5dB max.
<b>Minimum Pulsed Output Power</b> (@ nominal Input +4dBm)	50W min. full range
<b>CW Output Power</b> (Internal Limitation)	10W max.
<b>Linear Output Power</b>	45W typical @ 1dB compression
<b>Linearity</b>	$\pm$ 1dB to 45W typical
<b>Amplifier Biasing</b>	Class AB operation
<b>Blanking Delay Time</b>	1 $\mu$ s min.
<b>RF Rise Time</b>	< 100ns
<b>RF Fall Time</b>	< 50ns
<b>DC Ringing</b>	$\pm$ 100mV typical (due to blanking signal)
<b>Input Noise Figure</b>	8dB typical
<b>Output Noise Power</b> (Unblanked)	-123dBm @ 1Hz
<b>Output Noise Power</b> (Blanked)	Thermal Noise
<b>Input/Output Impedance</b>	50 $\Omega$
<b>Input V.S.W.R. Route OFF</b>	1.6 : 1 max.
<b>Input V.S.W.R. Route ON</b>	1.5 : 1 max.
<b>Output Harmonics</b> (2fc ; 3fc)	-45dBc ; -70dBc max. @ 50W
<b>Pulse Width</b> (Internal Limitation)	100ms @ 50W (up to CW @ 10W)
<b>Duty Cycle</b> (Internal Limitation)	20% @ 50W (up to 100% @ 10W)
<b>Droop &amp; Pulse Flatness</b>	$\pm$ 2% typical @ 50W for 100ms Pulse Width
<b>Amplitude Stability vs. Temperature</b>	$\pm$ 0.1% / $^{\circ}$ C max.

Table 7.3. Channel Solid 500W Output Specifications

<b>Frequency Range</b>	470 to 600MHz
<b>Linear Gain</b>	55dB $\pm$ 1dB typical
<b>Gain Flatness</b>	$\pm$ 2dB max.
<b>Minimum Pulsed Output Power</b>	500W min. full range
<b>CW Output Power (Internal Limitation)</b>	50W max.
<b>Linear Output Power</b>	500W typical @ 1dB compression
<b>Linearity</b>	2dB / -1dB to 500W typical
<b>Amplifier Biasing</b>	Class AB operation
<b>Blanking Delay Time</b>	1 $\mu$ s min.
<b>RF Rise Time</b>	< 100ns
<b>RF Fall Time</b>	< 50ns
<b>DC Ringing</b>	$\pm$ 100mV typical (due to blanking signal)
<b>Input Noise Figure</b>	8dB typical
<b>Output Noise Power (Unblanked)</b>	-113dBm @ 1Hz
<b>Output Noise Power (Blanked)</b>	Thermal Noise
<b>Input/Output Impedance</b>	50 $\Omega$
<b>Input V.S.W.R. Route OFF</b>	1.6 : 1 max.
<b>Input V.S.W.R. Route ON</b>	1.5 : 1 max.
<b>Output Harmonics (2fc ; 3fc)</b>	-40dBc ; -65dBc max. @ 500W
<b>Pulse Width (Internal Limitation)</b>	100ms @ 500W (up to CW @ 50W)
<b>Duty Cycle (Internal Limitation)</b>	10% @ 500W (up to 100% @ 50W)
<b>Droop &amp; Pulse Flatness</b>	$\pm$ 4% typical @ 500W for 100ms Pulse Width
<b>Amplitude Stability vs. Temperature</b>	$\pm$ 0.1% / $^{\circ}$ C max.



# Service Information and Maintenance

# 8

Every intervention on the device must be carried out by an authorized and qualified person. Any failure due to a non-respect of the following instructions will not be attributable to BRUKER BIOSPIN and will not be covered by the guarantee clauses.

## **Preventive Maintenance of the RF Module on BLA-Type Amplifiers**

**8.1**

The RF module inside BLA's Amplifiers is equipped with a easily extractible PUSH FAN Assembly.

Fan's on assembly have a high reliability and manufacturer gives a expected live time of 70000 hours (8 years) at 25°C and 5 years at 60°C.

Replacement of the assembly could be done in the field when a misfonction of fans is detected by lightning from the OVERHEAT Status Led.

To prevent such a misfonction, a preventive maintenance could be done every 4 years.

This assembly can be ordered on the manufactory BBIO-FR by P/N:

- **W1346523** «PUSH FAN ASSEMBLY 6».

## **Operation**

**8.1.1**

1. Disconnect all cables from the front panel and the supply connector on the rear panel. Remove the amplifier from the NMR console and place it on a secure flat surface.
2. Unscrew and remove the coverage plate from the amplifier.
3. Disconnect the 2 wires (red +32V / black GND) being on the RF module dispatch supply connectors and coming from the Push fan assembly. Also disconnect the fan status wires (white) from BLA Control board connector J18.

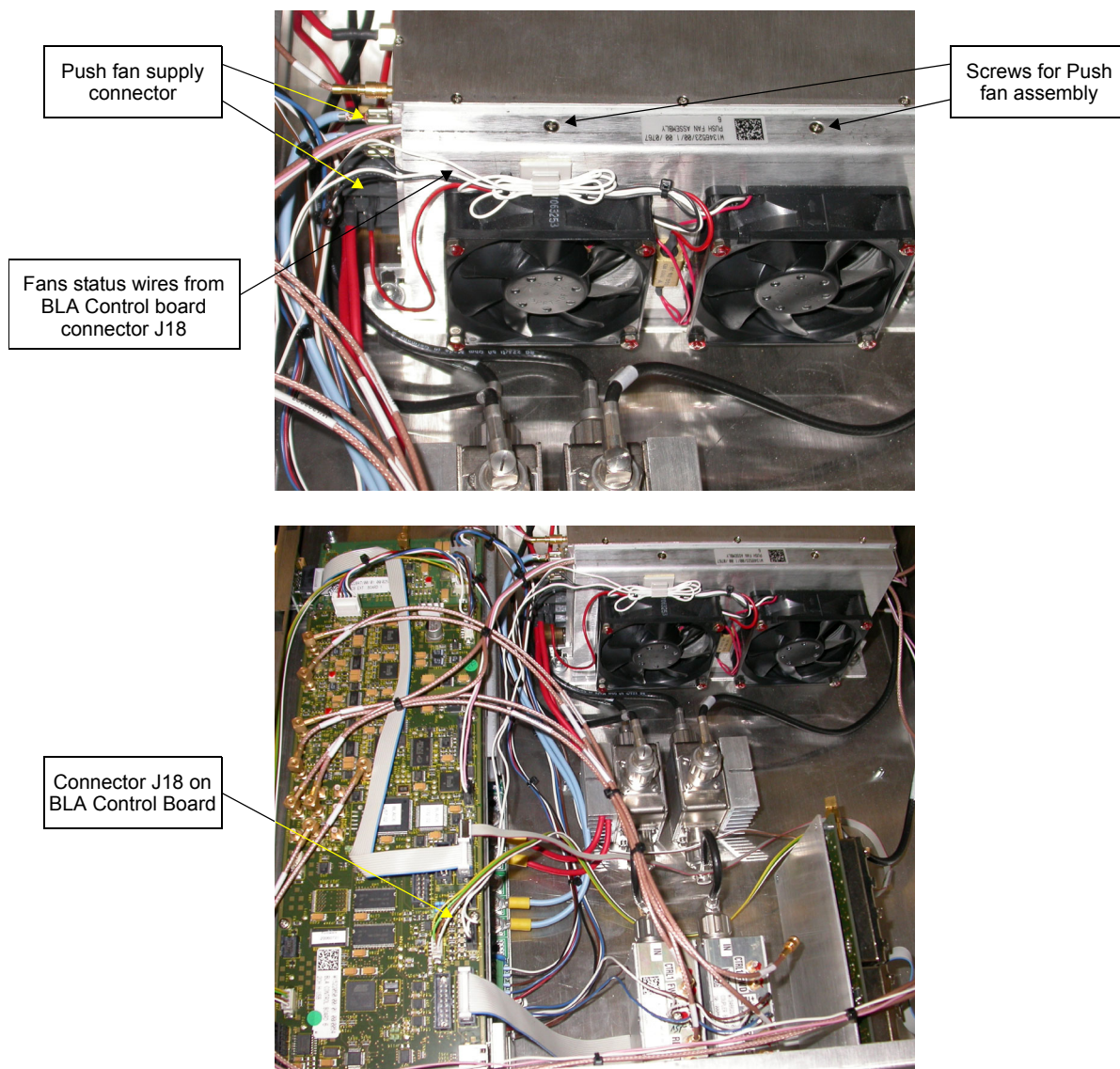


Figure 8.1. Push Fan Assembly

4. Unscrew the 2 screws on the top of the Push fan assembly.
5. Remove the Push fan assembly.
6. Place correctly the new fan assembly in the bottom holes of the RF module and screw it on the top.
7. Connect all wires (status and supply).
8. Connect line cord and turn on the amplifier. Note that the fans are turning and no OVERHEAT status led appears on front panel.
9. Put the coverage plate on the amplifier and screw it.
10. Put the amplifier in the NMR console, connect all cables on the front panel and the line cord on the rear panel.

# Figures

<b>1 General Information</b>	<b>5</b>
<b>2 Safety</b>	<b>7</b>
Figure 2.1. Identifying Plate .....	7
Figure 2.2. Manufacturer's Name Plate .....	8
<b>3 Installation</b>	<b>11</b>
<b>4 Operation</b>	<b>15</b>
Figure 4.1. BLAH500 E Amplifier 500-600MHz Front Panel Design .....	17
Figure 4.2. BLAH500 E Amplifier 500-600MHz Front Panel View .....	17
Figure 4.3. BLAH500 E Amplifier 500-600MHz Rear Panel Design .....	18
Figure 4.4. BLAH500 E Amplifier 500-600MHz Rear Panel View .....	18
<b>5 Technical Description</b>	<b>19</b>
Figure 5.1. BLAH500 E Amplifier 500-600MHz System Block Diagram .....	20
Figure 5.2. Embedded Router Block Diagram .....	21
Figure 5.3. Driver & Relay Switch Block Diagram .....	22
Figure 5.4. Peak Power Limitation .....	25
Figure 5.5. Forward Pulse Width Limitation .....	25
<b>6 Servicing the BLA</b>	<b>29</b>
Figure 6.1. Device Information .....	30
Figure 6.2. Amplifier Status (High Resolution) .....	31
Figure 6.3. Amplifier Status (Solid) .....	31
Figure 6.4. Device Information .....	32
Figure 6.5. Amplifier Limitations (High Resolution) .....	33
Figure 6.6. Amplifier Limitations (Solid) .....	33
Figure 6.7. Change Limits (High Resolution) .....	34
Figure 6.8. Change Limits (Solid) .....	34
Figure 6.9. Routing Information and Setting .....	35
Figure 6.10. Device Information .....	36
Figure 6.11. Perform Self Test and Report .....	37
Figure 6.12. Perform Software Reset and Report .....	38
Figure 6.13. Firmware Update .....	39
Figure 6.14. BIS Content .....	40
<b>7 Specifications</b>	<b>41</b>
<b>8 Service Information and Maintenance</b>	<b>45</b>
Figure 8.1. Push Fan Assembly .....	46





# Tables

<b>1 General Information</b>	<b>5</b>
<b>2 Safety</b>	<b>7</b>
<b>3 Installation</b>	<b>11</b>
<b>4 Operation</b>	<b>15</b>
Table 4.1. Indicators Assignment .....	15
Table 4.2. Coaxial Connectors Assignment .....	16
Table 4.3. RJ45 Pin Assignment .....	16
<b>5 Technical Description</b>	<b>19</b>
Table 5.1. Fault Detection Timings .....	26
<b>6 Servicing the BLA</b>	<b>29</b>
<b>7 Specifications</b>	<b>41</b>
Table 7.1. Amplifier Common Characteristics .....	41
Table 7.2. Channel High Resolution 50W Output Specifications .....	42
Table 7.3. Channel Solid 500W Output Specifications .....	43
<b>8 Service Information and Maintenance</b>	<b>45</b>





**End of Document**

# Bruker BioSpin, your solution partner

Bruker BioSpin provides a world class, market-leading range of analysis solutions for your life and materials science needs.

● **Bruker BioSpin Group**

[info@bruker-biospin.com](mailto:info@bruker-biospin.com)  
[www.bruker-biospin.com](http://www.bruker-biospin.com)

