

AQR

LOT
Technical Manual

Version 003

Sadis BRUKER SPECTROSPIN

The information in this manual may be altered without notice.

Sadis BRUKER SPECTROSPIN accepts no responsibility for actions taken as a result of use of this manual. Sadis BRUKER SPECTROSPIN accepts no liability for any mistakes contained in the manual, leading to coincidental damage, whether during installation or operation of the instrument. Unauthorised reproduction of manual contents, without written permission from the publishers, or translation into another language, either in full or in part, is forbidden.

This manual was written by

M.Dominique WURTZ
© February 1996 - Sadis BRUKER SPECTROSPIN
Wissembourg, FRANCE
P/N: W1302169

Updated for BASH 2.0 by UR - December 1996

P/N: Z31230
DWG-No: 901003

Contents

Contents 1

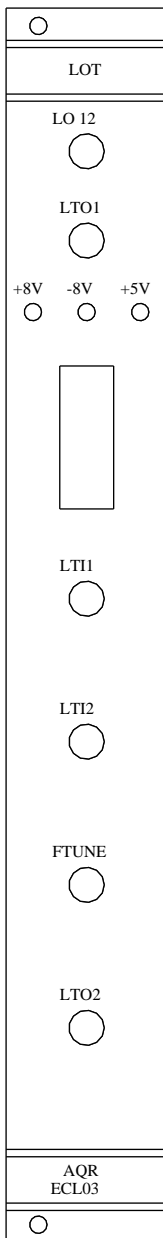
Schematics 3

Figures 18

Schematics

1

Figure 1.1. Local oscillator and tune front panel




ART: W1301855	EC: 03	DRAWN: DW	VISA:	S.a.d.i.s  SPECTROSPIN
LOCAL OSCILLATOR & TUNE FRONT PANEL		DATE: 16/08/94	VISA:	
		APPROV:	VISA:	
		DATE:	A	SHEET: 1/1
		DWG: W4L131492		

Figure 1.2. Local oscillator and tune RF block diagram

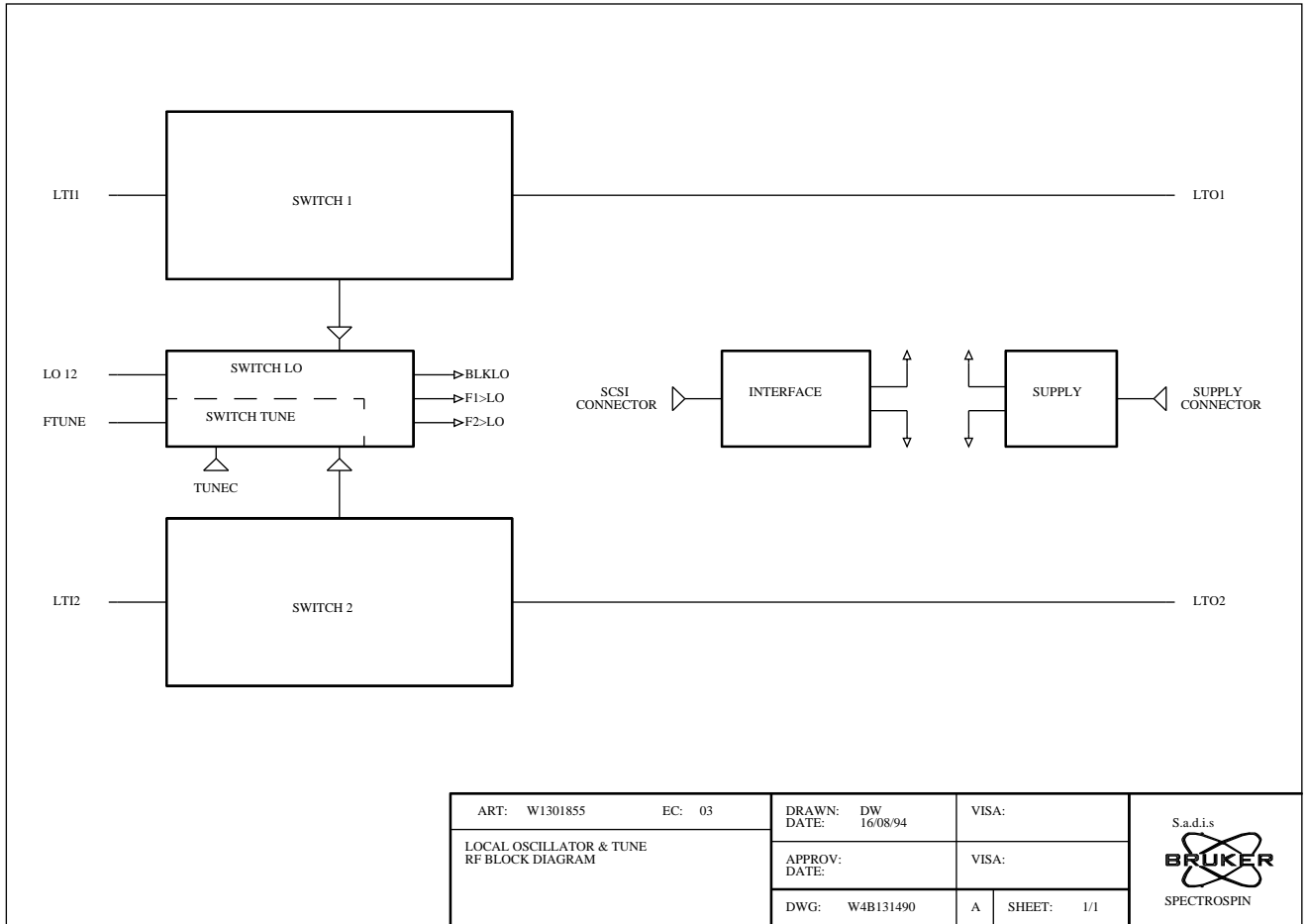
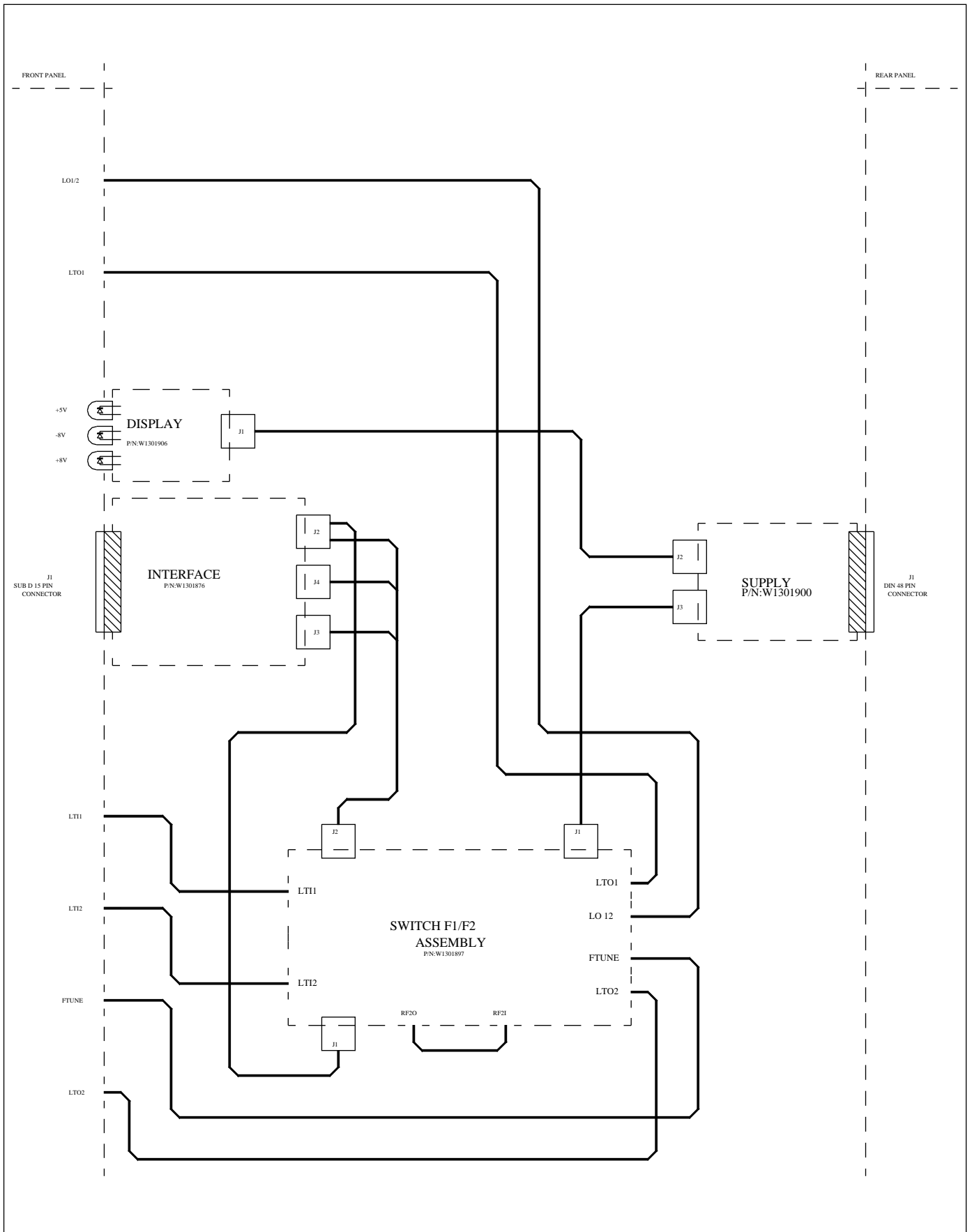
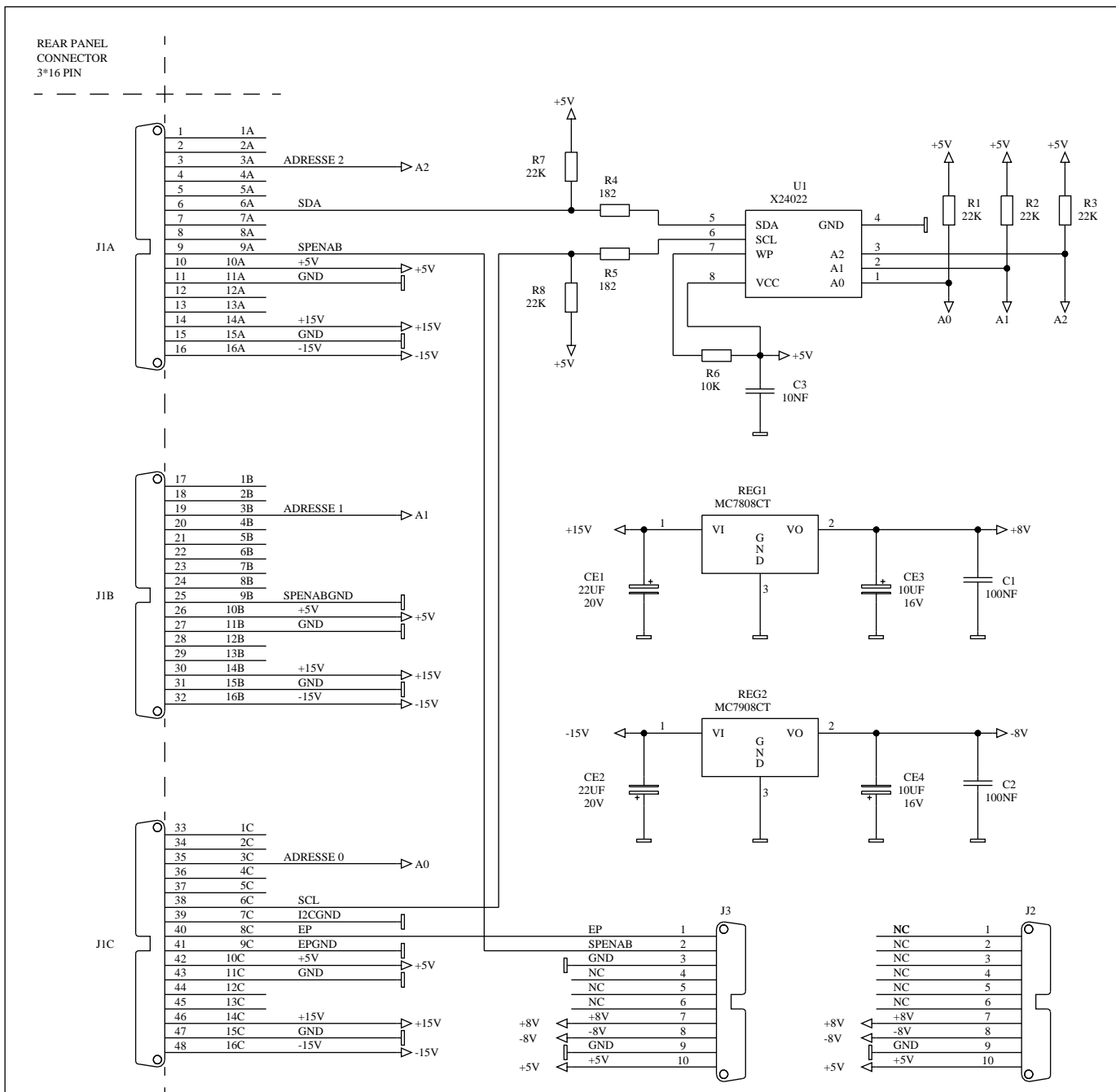


Figure 1.3. Local oscillator and tune wiring diagram



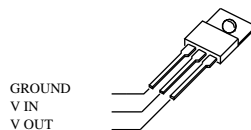
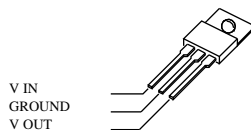
ART: W1301855	EC: 03	DRAWN: DW DATE: 16/08/94	VISA:	S.a.d.i.s SPECTROSPIN
LOCAL OSCILLATOR & TUNE WIRING DIAGRAM		APPROV: DATE:	VISA:	
		DWG: W4W131491	A SHEET: 1/1	

Figure 1.4. Amplitude setting unit supply board



7808

7908




ART: W1301900	EC: 02	DRAWN: DW	DATE: 21/07/93	VISA:
AMPLITUDE SETTING UNIT SUPPLY BOARD		APPROV:	DATE:	VISA:
DWG: W4S131983	A	SHEET:	1/1	S.a.d.i.s  SPECTROSPIN

Figure 1.5. Amplitude setting unit supply board - Location

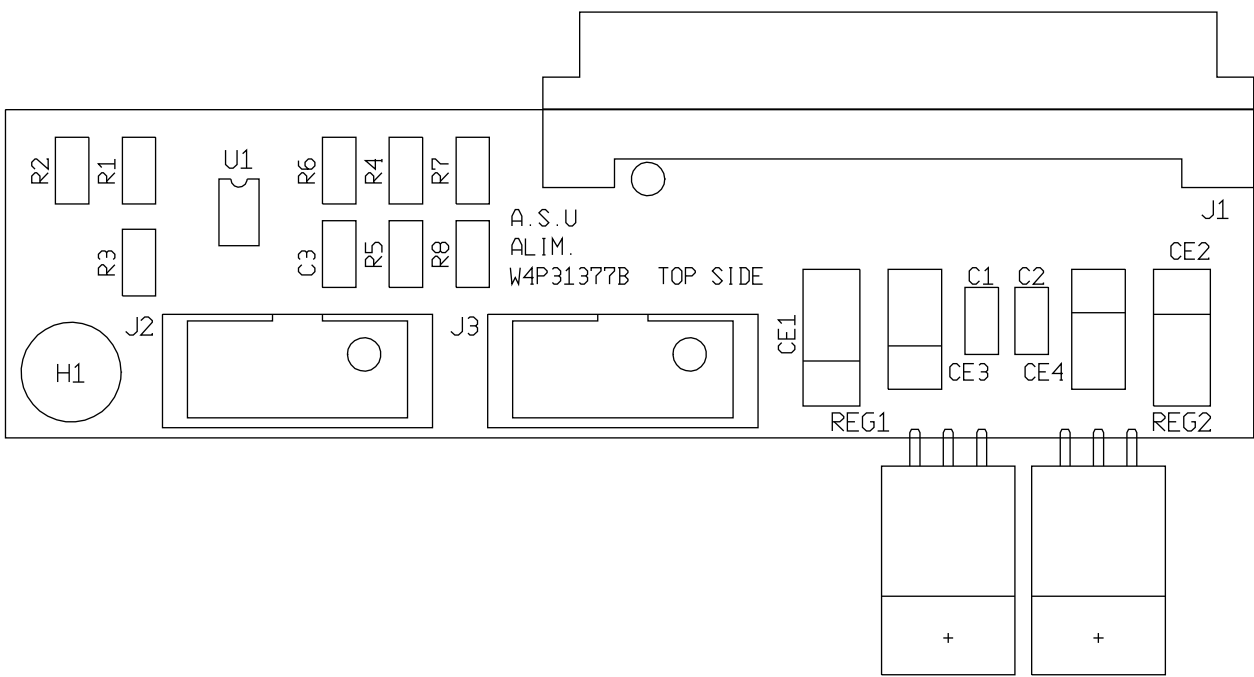


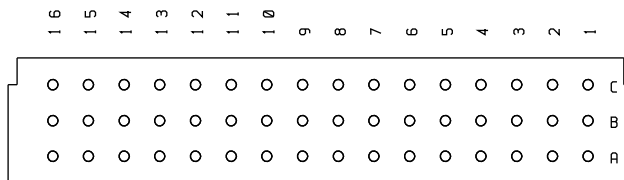
Figure 1.6. Amplitude setting unit supply board - Rear panel connector

J1 - REAR PANEL CONNECTOR

1A	01	NC
2A	02	NC
3A	03	ADRESSE 2
4A	04	NC
5A	05	NC
6A	06	SDA
7A	07	NC
8A	08	NC
9A	09	SPENAB
10A	10	+5V
11A	11	GND
12A	12	NC
13A	13	NC
14A	14	+15V
15A	15	GND
16A	16	-15V

1B	17	NC
2B	18	NC
3B	19	ADRESSE 1
4B	20	NC
5B	21	NC
6B	22	NC
7B	23	NC
8B	24	NC
9B	25	SPENABGND
10B	26	+5V
11B	27	GND
12B	28	NC
13B	29	NC
14B	30	+15V
15B	31	GND
16B	32	-15V

1C	33	NC
2C	34	NC
3C	35	ADRESSE 0
4C	36	NC
5C	37	NC
6C	38	SCL
7C	39	I2CGND
8C	40	EP
9C	41	EPGND
10C	42	+5V
11C	43	GND
12C	44	NC
13C	45	NC
14C	46	+15V
15C	47	GND
16C	48	-15V



Front View

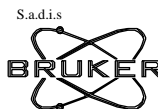
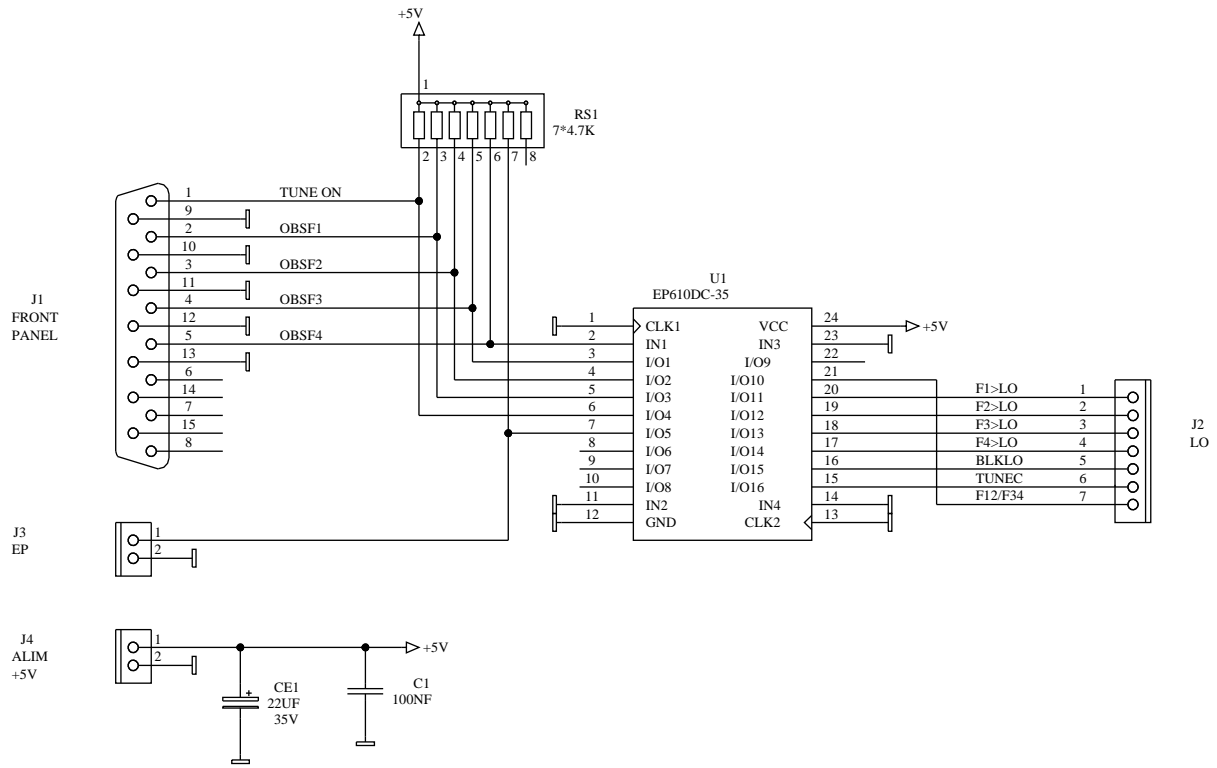
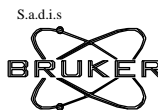
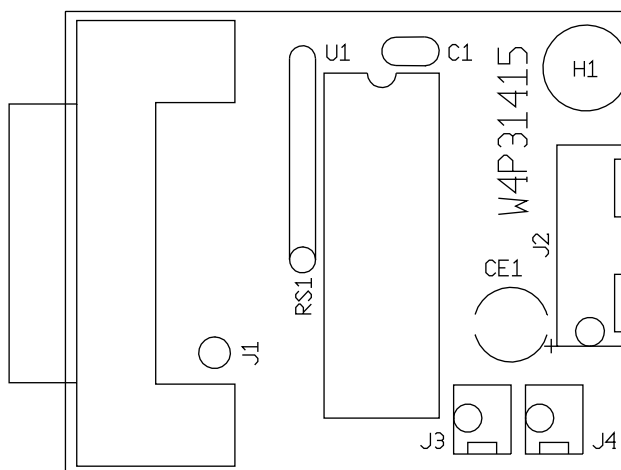
ART: W1301900	EC: 02	DRAWN: DW	DATE: 21/07/93	VISA:	S.a.d.i.s  SPECTROSPIN
AMPLITUDE SETTING UNIT SUPPLY BOARD REAR PANEL CONNECTOR		APPROV:	DATE:	VISA:	
		DWG: W4C131983	A	SHEET: 1/1	

Figure 1.7. Local oscillator and tune interface

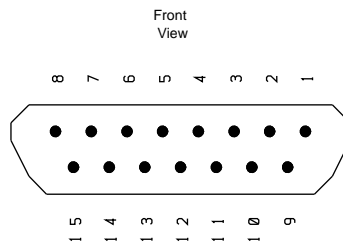


ART: W1301876	EC: 01	DRAWN: DW	VISA:	S.a.d.i.s  SPECTROSPIN
LOCAL OSCILLATOR & TUNE INTERFACE		DATE: 22/04/93	VISA:	
		APPROV: DATE:	VISA:	
		DWG: W4S131415	SHEET: 1/1	



J1 - FRONT PANEL CONNECTOR

01	TUNE ON	09	DGND
02	OBSF1	10	DGND
03	OBSF2	11	DGND
04	OBSF3	12	DGND
05	OBSF4	13	DGND
06	NC	14	NC
07	NC	15	NC
08	NC		



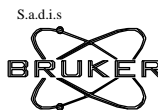
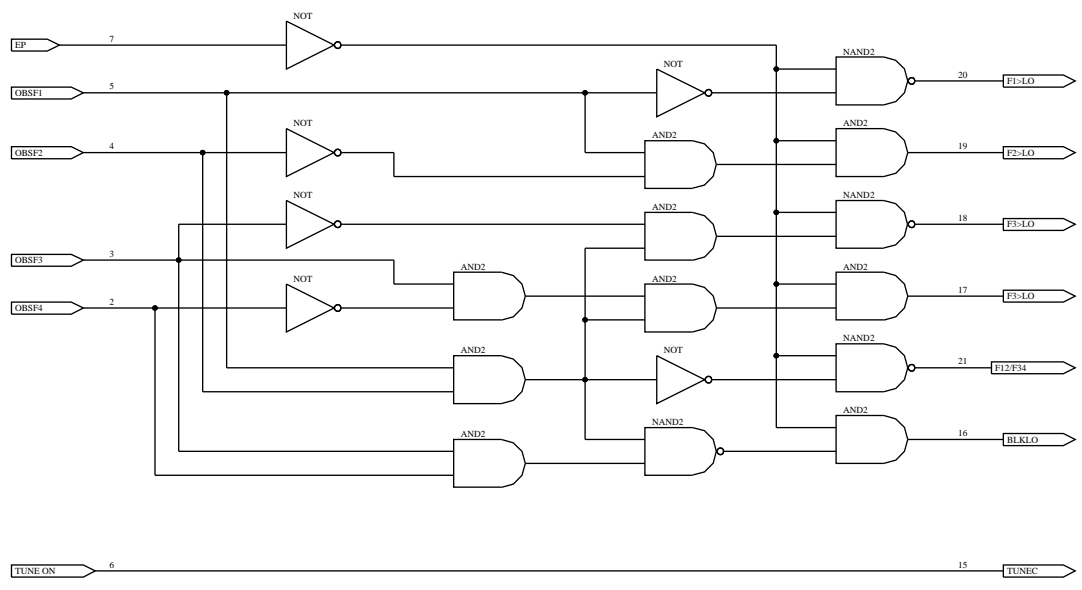
ART: W1301876	EC: 01	DRAWN: DW	DATE: 22/04/93	VISA:	S.a.d.i.s  SPECTROSPIN
LOCAL OSCILLATOR & TUNE INTERFACE		APPROV:	DATE:	VISA:	
		DWG: W4C131415		SHEET: 1/1	

Figure 1.10. Pal interconnection

LOT01/01
17/05/93

EP600PC									
GND	1	CLK1	VCC	24	VCC				
OBSF4	2	IN1	IN3	23	GND				
OBSF3	3	I/O1	I/O9	22	NC				
OBSF2	4	I/O2	I/O10	21	F12/F34				
OBSF1	5	I/O3	I/O11	20	F13-LO				
TUNE ON	6	I/O4	I/O12	19	F2-LO				
EP	7	I/O5	I/O13	18	F3-LO				
NC	8	I/O6	I/O14	17	F3-LO				
NC	9	I/O7	I/O15	16	BLKLO				
NC	10	I/O8	I/O16	15	TUNEC				
GND	11	IN2	IN4	14	GND				
GND	12	GND	CLK2	13	GND				




ART: W135683	EC: 01	DRAWN: DW	VISA:	 S.a.r.l.s. BRUKER SPECTROSPIN
LOT01/01 PAL-INTERCONNECTION		DATE: 17/05/93	VISA:	
		APPROV: DATE:	VISA:	
		DWG: W4D132029	SHEET: 1/1	

Figure 1.11. Local oscillator and tune switch F1/F2

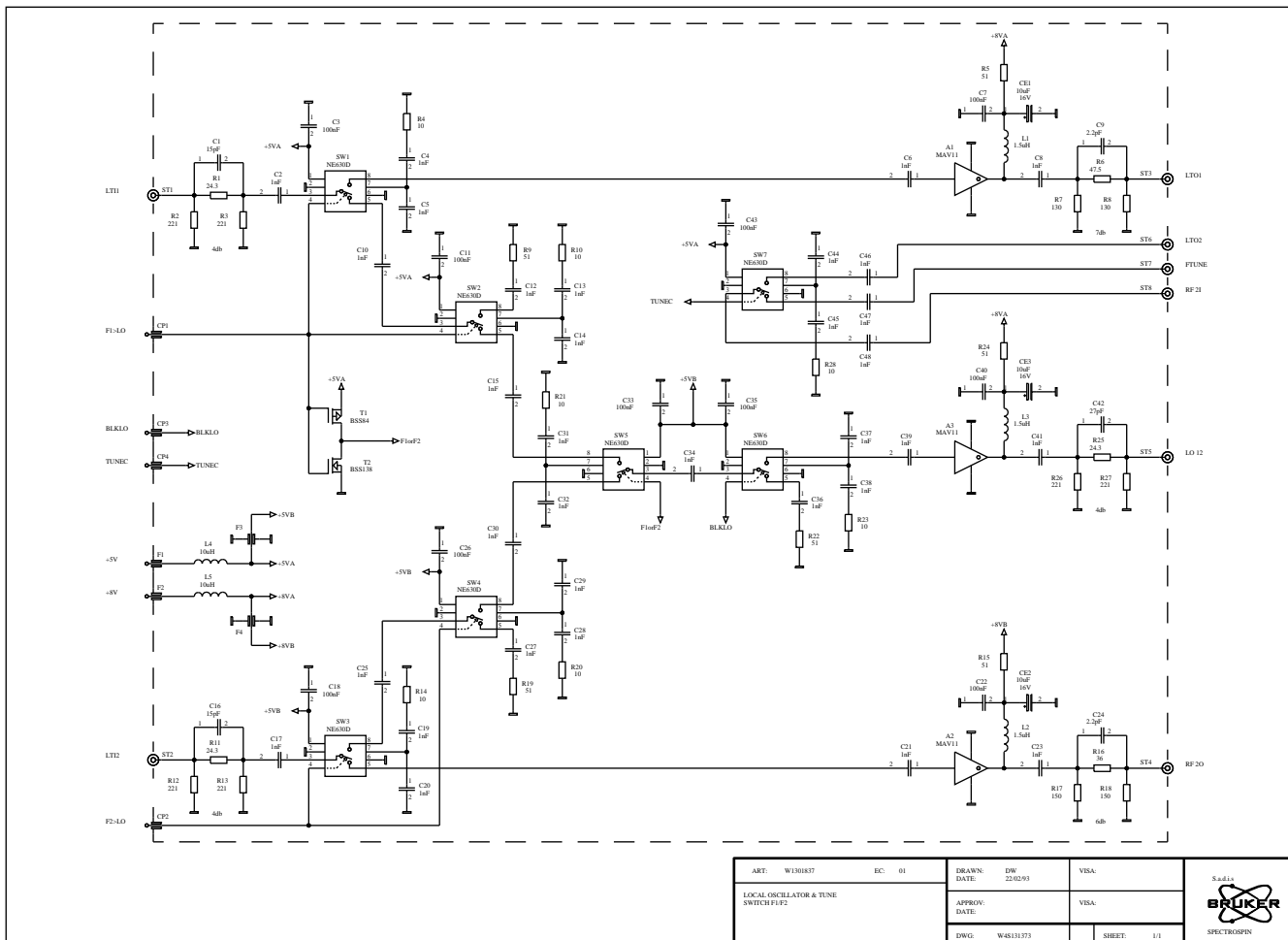
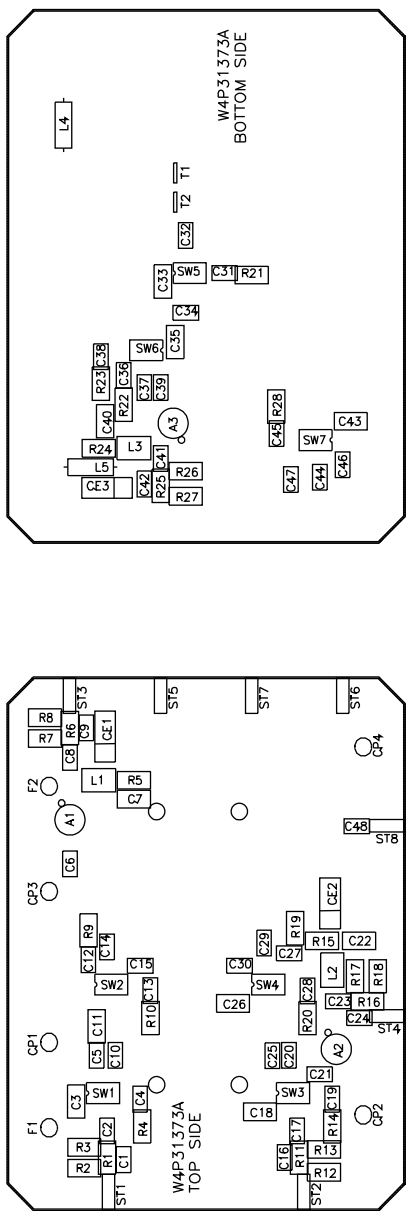


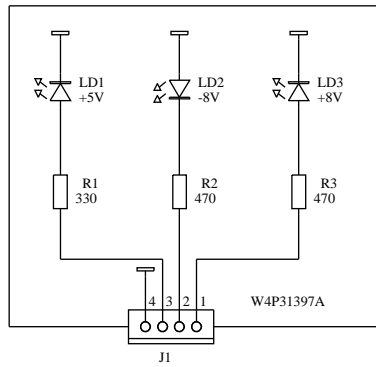
Figure 1.12. Local oscillator and tune switch F1/F2 - Location



ART NR : W1301837		EC :		DRAWN : RC	VISA :
ASU		SWITCH LO/T - F1/F2		DATE : 14/06/95	DATE : 14/06/95
C1 : W4P31373A				APPROV : SB	VISA :
				DATE : 14/06/95	DATE : 14/06/95
				DWG NR : W4L31373	A SHEET : 1/1

S.o.d.i.s
BRUKER
 SPECTROSPIN

Figure 1.13. Local oscillator and tune supply control board




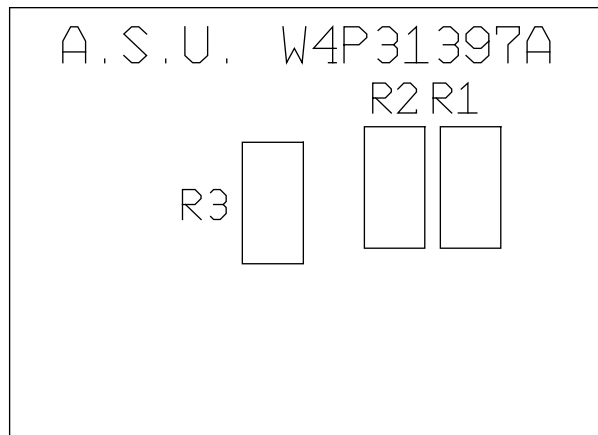
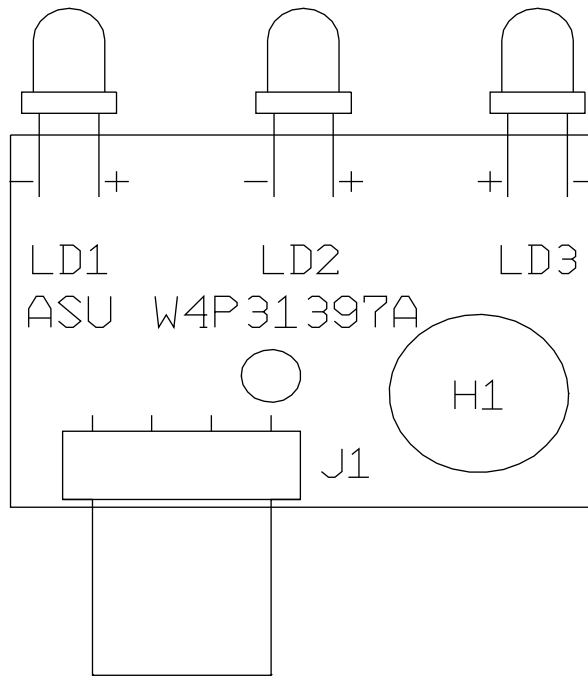
ART: W1301906	EC: 01	DRAWN: DW	VISA:	S.a.d.i.s  SPECTROSPIN
LOCAL OSCILLATOR & TUNE SUPPLY CONTROL BOARD		DATE: 17/06/93	VISA:	
		APPROV: DATE:	VISA:	
		DWG: W4S131397	SHEET: 1/1	

Figure 1.14. Local oscillator and tune supply control board - Location



Figures

Contents 1

Schematics 3

Local oscillator and tune front panel 4
Local oscillator and tune RF block diagram 5
Local oscillator and tune wiring diagram 6
Amplitude setting unit supply board 7
Amplitude setting unit supply board - Location 8
Amplitude setting unit supply board - Rear panel connector 9
Local oscillator and tune interface 10
Local oscillator and tune interface - Location 11
Local oscillator and tune interface - Front panel connector 12
Pal interconnection 13
Local oscillator and tune switch F1/F2 14
Local oscillator and tune switch F1/F2 - Location 15
Local oscillator and tune supply control board 16
Local oscillator and tune supply control board - Location 17

Figures 18

